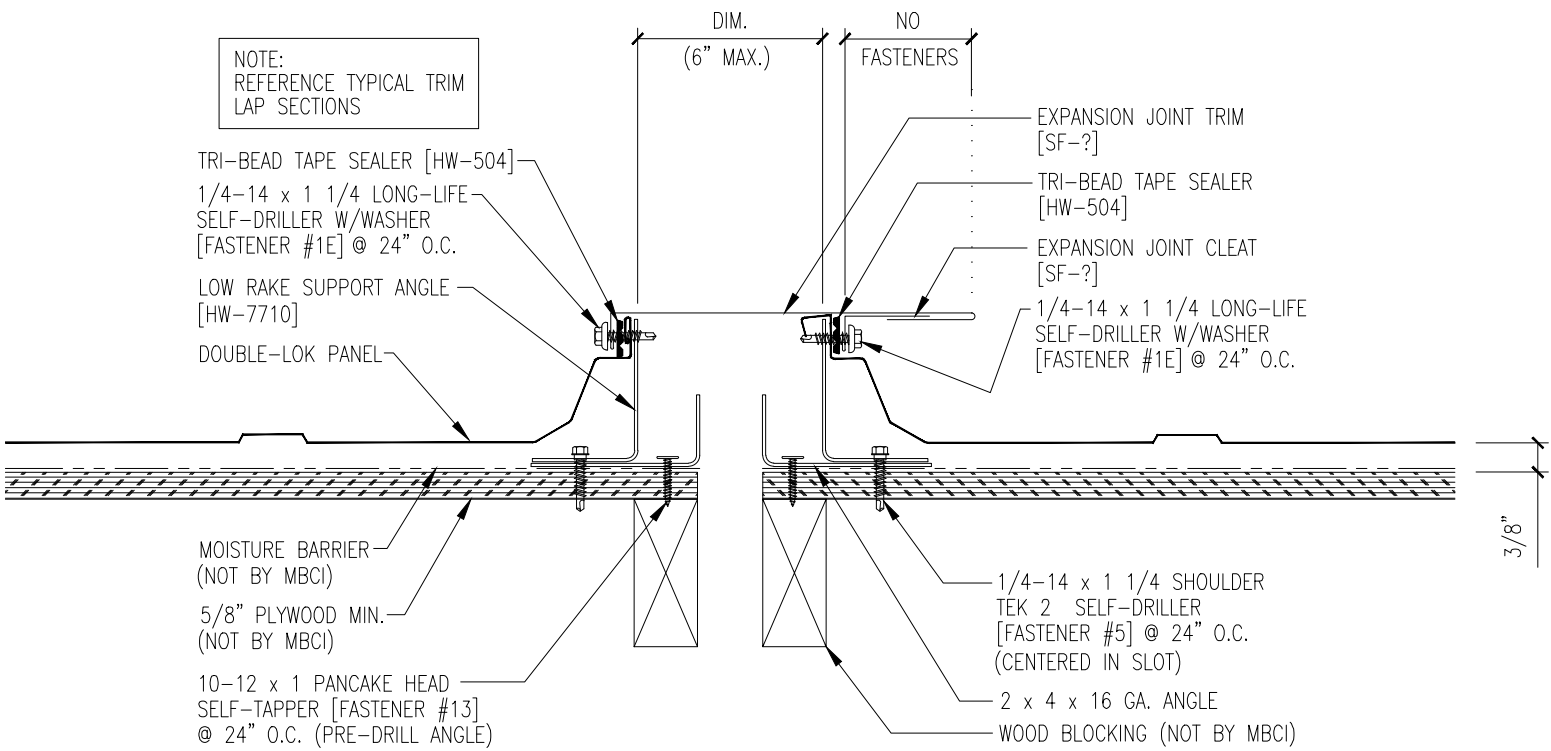


NOTE:  
REFERENCE TYPICAL TRIM  
LAP SECTIONS



TRI-BEAD TAPE SEALER [HW-504]  
1/4-14 x 1 1/4 LONG-LIFE  
SELF-DRILLER W/WASHER  
[FASTENER #1E] @ 24" O.C.

LOW RAKE SUPPORT ANGLE  
[HW-7710]

DOUBLE-LOK PANEL

MOISTURE BARRIER  
(NOT BY MBCI)  
5/8" PLYWOOD MIN.  
(NOT BY MBCI)

10-12 x 1 PANCAKE HEAD  
SELF-TAPPER [FASTENER #13]  
@ 24" O.C. (PRE-DRILL ANGLE)

DIM. (6" MAX.) NO FASTENERS

EXPANSION JOINT TRIM  
[SF-?]

TRI-BEAD TAPE SEALER  
[HW-504]

EXPANSION JOINT CLEAT  
[SF-?]

1/4-14 x 1 1/4 LONG-LIFE  
SELF-DRILLER W/WASHER  
[FASTENER #1E] @ 24" O.C.

1/4-14 x 1 1/4 SHOULDER  
TEK 2 SELF-DRILLER  
[FASTENER #5] @ 24" O.C.  
(CENTERED IN SLOT)

2 x 4 x 16 GA. ANGLE

WOOD BLOCKING (NOT BY MBCI)

3/8"