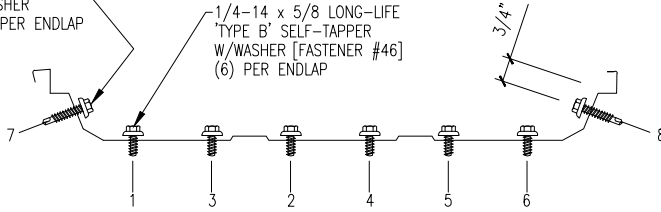
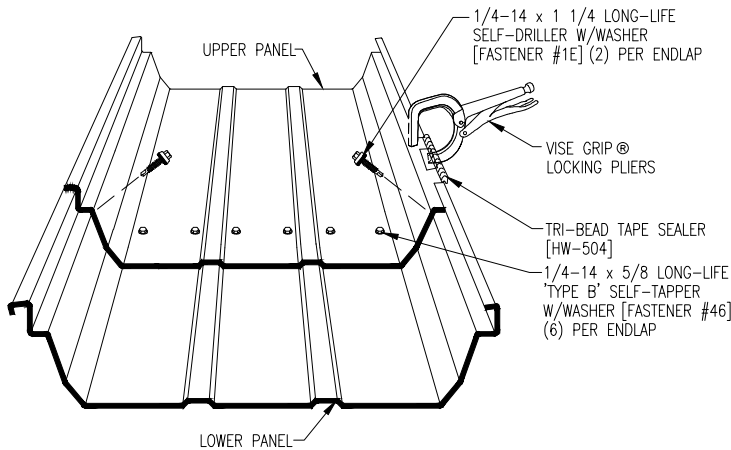
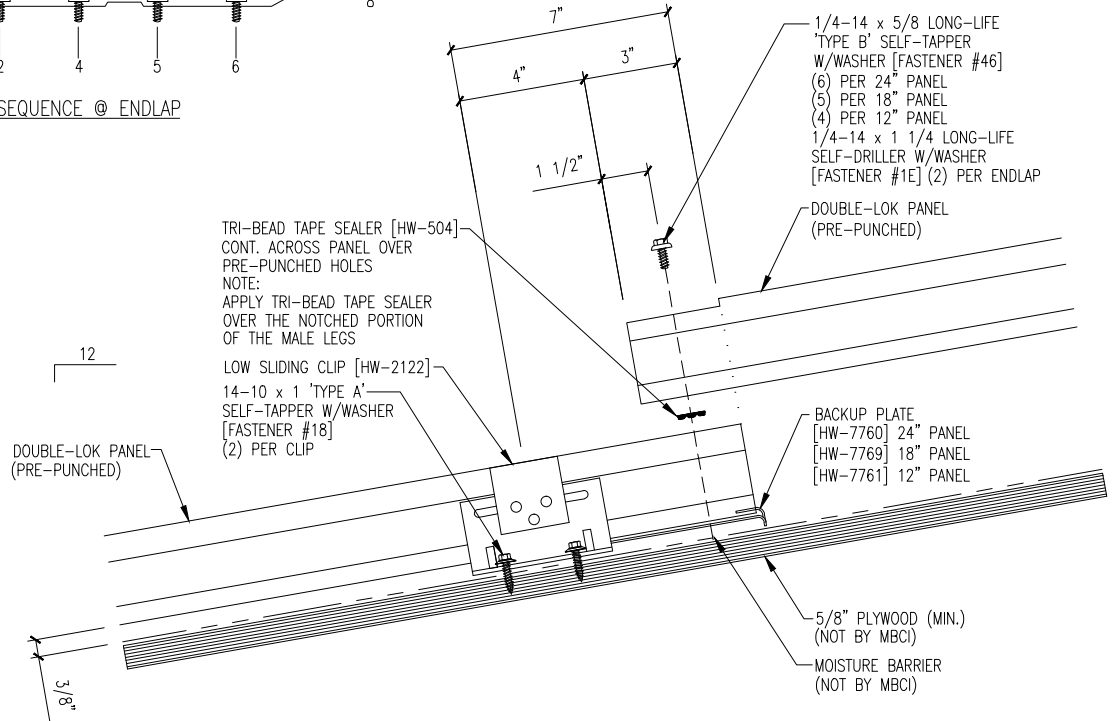


1/4-14 x 1 1/4 LONG-LIFE
SELF-DRILLER W/WASHER
[FASTENER #1E] (2) PER ENDLAP
@ TRAPEZOIDS



FASTENER SEQUENCE @ ENDLAP



PANEL INSTALLATION SEQUENCE