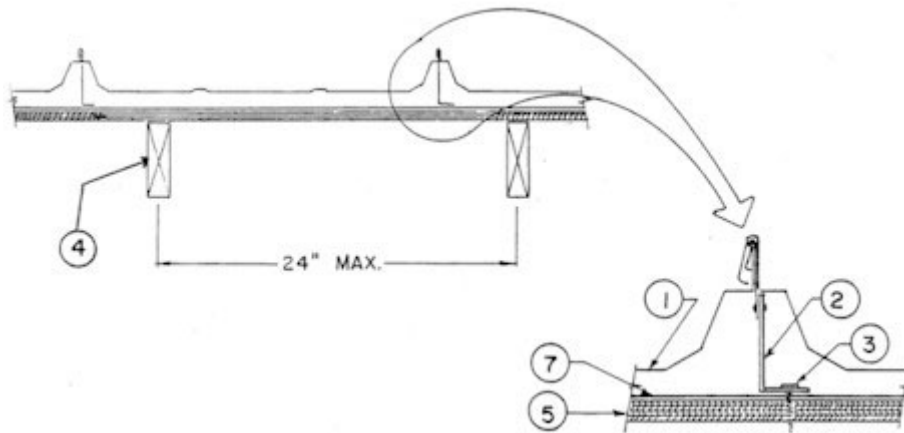


**Construction No. 541**

**Uplift - Class 90**

**Fire Not Investigated**



**1. Metal Roof Deck Panels\*** - No. 26 MSG min coated steel. Panels continuous over two or more spans. End laps to occur adjacent to wood joist with panels overlapped 3 inch max. A line of sealant may be used at panel end and side laps.

- A&S BUILDING SYSTEMS, INC.-"Ultra-Dek"
- GARCO BUILDING SYSTEMS - "Garco Standing Seam-GGS"
- MBCI-"Ultra-Dek"
- MESCO METAL BUILDINGS --"Ultra-Dek"
- NCI BUILDING SYSTEMS LP--"Ultra-Dek"
- UNITED STRUCTURES OF AMERICA INC--"Guardian I".

**2. Roof Deck Fasteners\* - (Panel Clips)** - Two piece floating clip with a No. 14 MSG base and a .030 Stainless Steel or .035 Coated Steel top.

- NCI BUILDING SYSTEMS LP - "High or Low Floating Clip"

**3. Fasteners (Screws)** - Fasteners for panel clip to plywood to be two (2) No. 10 by 1 1/2 inch long with 1/4 inch hex-head screw with separate 1/2 inch O.D. neoprene and steel washer. As an alternate fastener, the screw used to attach a panel clip to the plywood may be two (2) No. 14 by 1 1/2 inch long Type A with 3/8 inch hex-head and a separate 5/8 inch neoprene and steel washer. Screws used at the end lap to be 1/4-14 by 1 inch long with 3/8 inch hex-head and separate 5/8 inch neoprene and steel washer. Six (6) fasteners are to be used in the flat section of the end lap panel with the first fastener located 3 1/4 inches from either rib and then spaced in a 3 1/2, 3 1/2, 3 1/2, 3 1/2, 3 1/2 inch pattern. An additional fastener is to be located at the second

slanted segment of the rib on both sides of the end lap panel. Fasteners used with alternate 16 MSG min. thick coated steel upper section to be No. 14 by 1 inch long self-tapping fastener. First fastener located 1/2 inch from first slanted segment on opposite side of same rib where first fasteners located. Screws used to attach plywood to wood joists to be No. 8 by 2 inch long bugle-head screws spaced at 12 inches O.C. Spacing at the butted ends of the plywood sections to be 6 inch O.C. 8d nails may be used, as an option for attachment of plywood to wood joist.

**4. Wood Joist** - No. 2 Southern yellow pine or equivalent, spaced at 24 inches O.C. maximum.

**5. Plywood Deck** - Deck to be min. 5/8 thick, exposure 1, sheathing span "C-D", 40/20/ plywood. All butt joints to be sealed against leakage by using tape and/or caulk.

**6. Thermal Spacer** - (optional) (not shown) - Polystyrene, 1 inch max thickness, 3 inches wide, cut to fit between panel clips.

**7. Moisture Barrier** - (optional) Used to protect plywood (Item 5). Installed under panels (Item 1).

**8. Splice Plate Assembly** - (not shown) - Used at panel end laps; Consisting of a lower section 5 5/8 inches wide, with a 1 inch vertical leg, formed to the general profile of the panel and having four 1 inch wide by 3/4 inch long tabs for sliding over the panel end. Upper section (optional) to be 1 1/2 inches wide 24 inches long and also formed to the general profile of the panel. Both parts fabricated from No. 16 MSG thick coated steel. Five 5/16 inch guide holes located in the flat area only.

\*Bearing the UL Classification Marking.