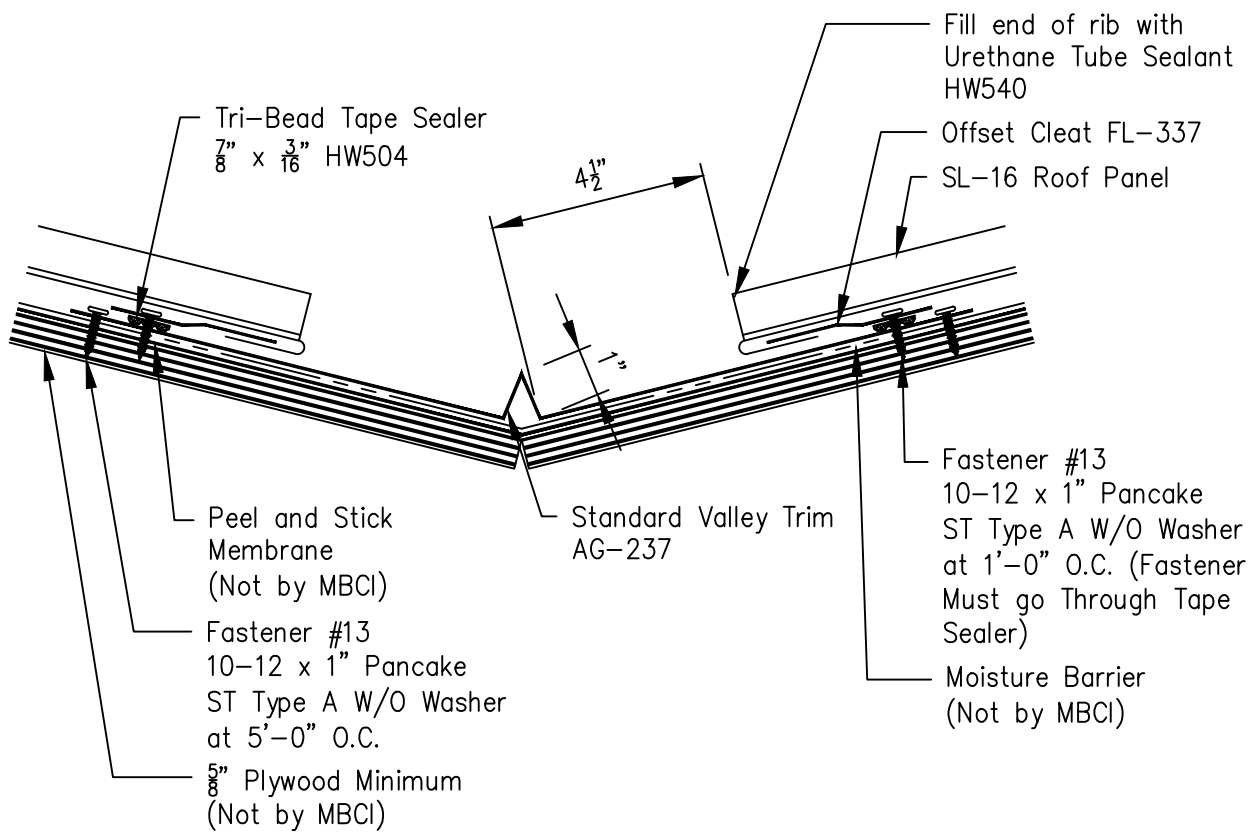


Offset Cleat FL-337

Field Notch Panel Legs
1 1/2" and Bend Pan
to Form Open Hem

Note: Panels With Minor
Ribs Cannot be Hemmed



Tri-Bead Tape Sealer
7/8" x 3/16" HW504

Peel and Stick
Membrane
(Not by MBCI)

Fastener #13
10-12 x 1" Pancake
ST Type A W/O Washer
at 5'-0" O.C.

5/8" Plywood Minimum
(Not by MBCI)

Standard Valley Trim
AG-237

Fill end of rib with
Urethane Tube Sealant
HW540

Offset Cleat FL-337
SL-16 Roof Panel

Fastener #13
10-12 x 1" Pancake
ST Type A W/O Washer
at 1'-0" O.C. (Fastener
Must go Through Tape
Sealer)

Moisture Barrier
(Not by MBCI)