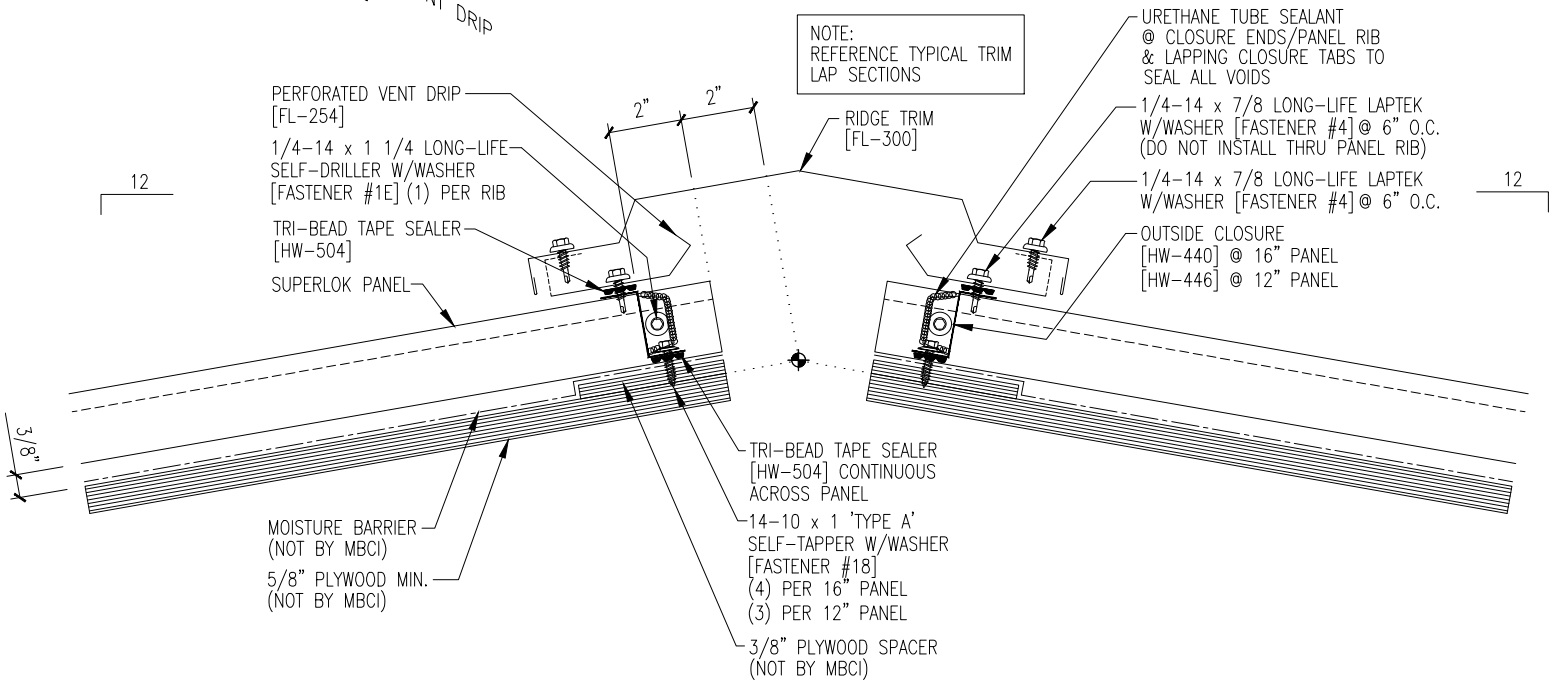


NOTE:
REFERENCE TYPICAL TRIM
LAP SECTIONS



- PERFORATED VENT DRIP [FL-254]
- 1/4-14 x 1 1/4 LONG-LIFE SELF-DRILLER W/WASHER [FASTENER #1E] (1) PER RIB
- TRI-BEAD TAPE SEALER [HW-504]
- SUPERLOK PANEL

- URETHANE TUBE SEALANT @ CLOSURE ENDS/PANEL RIB & LAPPING CLOSURE TABS TO SEAL ALL VOIDS
- 1/4-14 x 7/8 LONG-LIFE LAPTEK W/WASHER [FASTENER #4] @ 6" O.C. (DO NOT INSTALL THRU PANEL RIB)
- 1/4-14 x 7/8 LONG-LIFE LAPTEK W/WASHER [FASTENER #4] @ 6" O.C.
- OUTSIDE CLOSURE [HW-440] @ 16" PANEL [HW-446] @ 12" PANEL

- TRI-BEAD TAPE SEALER [HW-504] CONTINUOUS ACROSS PANEL
- 14-10 x 1 'TYPE A' SELF-TAPPER W/WASHER [FASTENER #18] (4) PER 16" PANEL (3) PER 12" PANEL
- 3/8" PLYWOOD SPACER (NOT BY MBCI)

- MOISTURE BARRIER (NOT BY MBCI)
- 5/8" PLYWOOD MIN. (NOT BY MBCI)

12

12