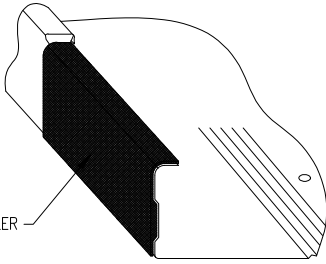
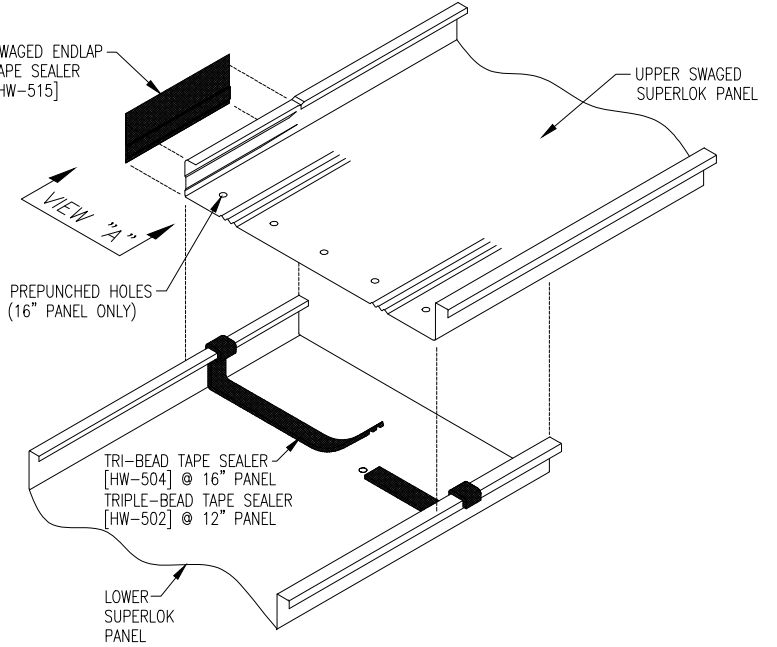


SWAGED ENDLAP TAPE SEALER  
[HW-515]



VIEW "A"

SWAGED ENDLAP TAPE SEALER  
[HW-515]



1/4-14 x 1 LONG-LIFE  
'TYPE AB' SELF-TAPPER  
W/WASHER [FASTENER #2B]  
(5) PER 16" PANEL  
(4) PER 12" PANEL

TRI-BEAD TAPE SEALER  
[HW-504] @ 16" PANEL  
TRIPLE-BEAD TAPE SEALER  
[HW-502] @ 12" PANEL

UTILITY PANEL CLIP  
[HW-238]

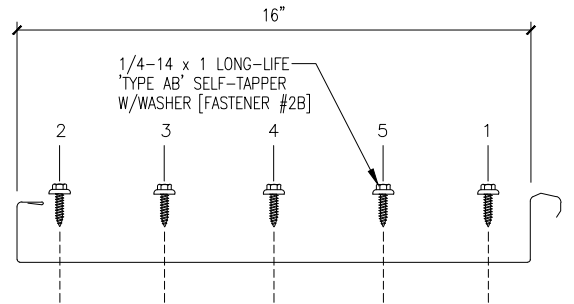
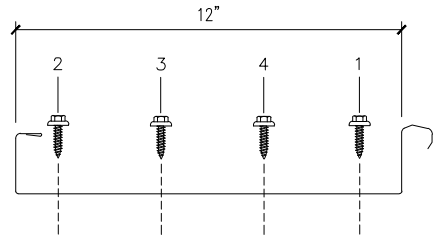
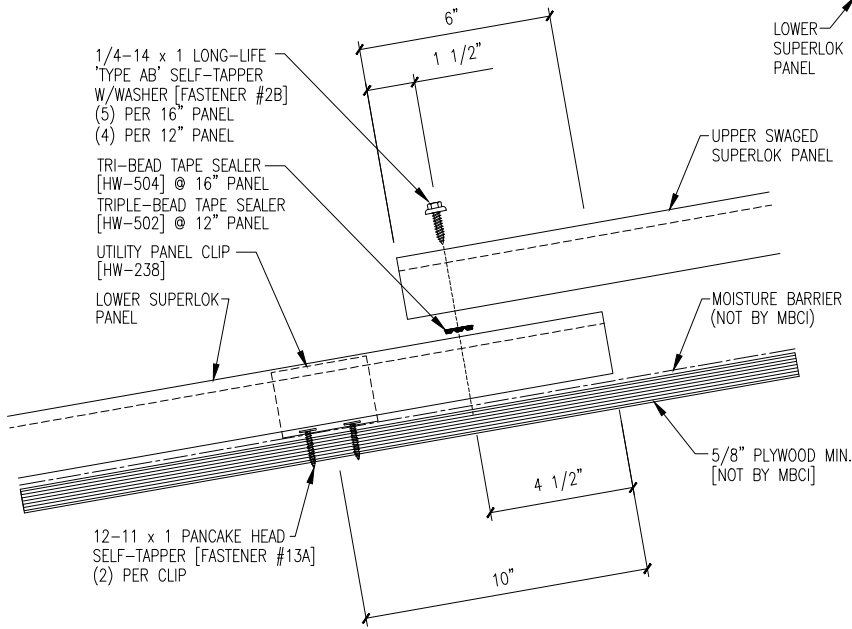
LOWER SUPERLOK PANEL

UPPER SWAGED SUPERLOK PANEL

MOISTURE BARRIER  
(NOT BY MBCI)

5/8" PLYWOOD MIN.  
[NOT BY MBCI]

12-11 x 1 PANCAKE HEAD  
SELF-TAPPER [FASTENER #13A]  
(2) PER CLIP



FASTENER INSTALLATION SEQUENCE