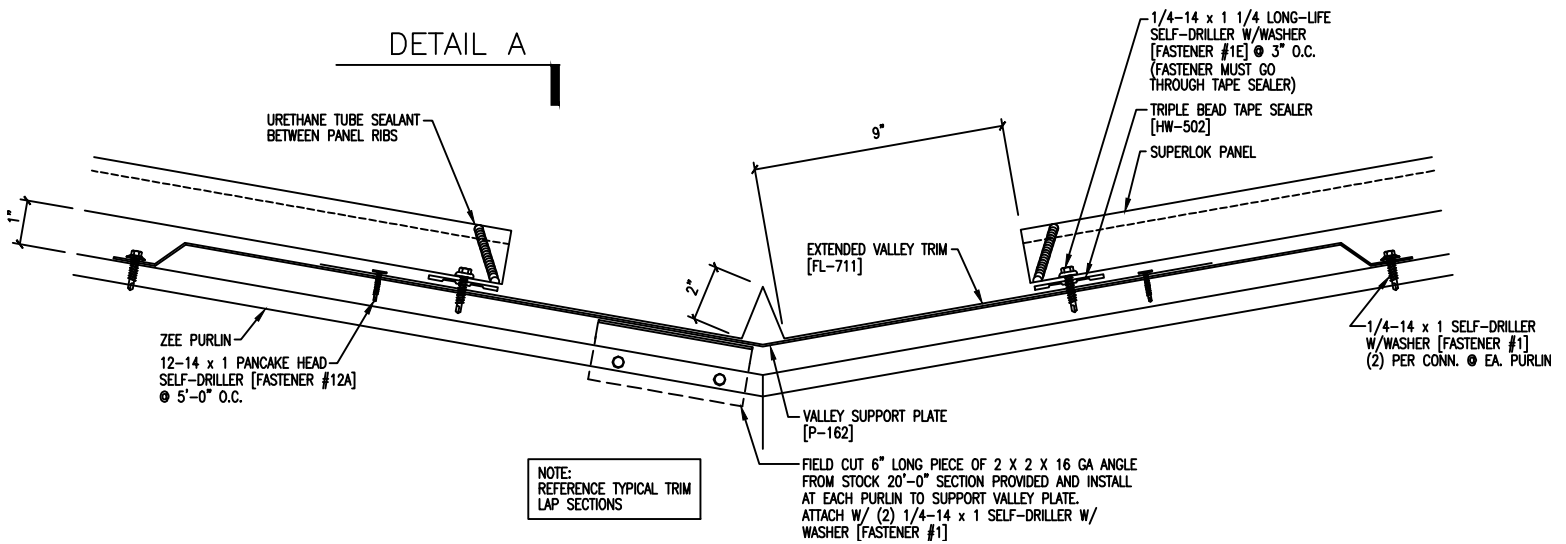


URETHANE SEALANT MUST COME IN CONTACT WITH TAPE SEALER TO FORM A WEATHERTIGHT SEAL

DETAIL "A"

DETAIL A



NOTE:
REFERENCE TYPICAL TRIM
LAP SECTIONS

FIELD CUT 6" LONG PIECE OF 2 X 2 X 16 GA ANGLE FROM STOCK 20'-0" SECTION PROVIDED AND INSTALL AT EACH PURLIN TO SUPPORT VALLEY PLATE. ATTACH W/ (2) 1/4-14 x 1 SELF-DRILLER W/ WASHER [FASTENER #1]