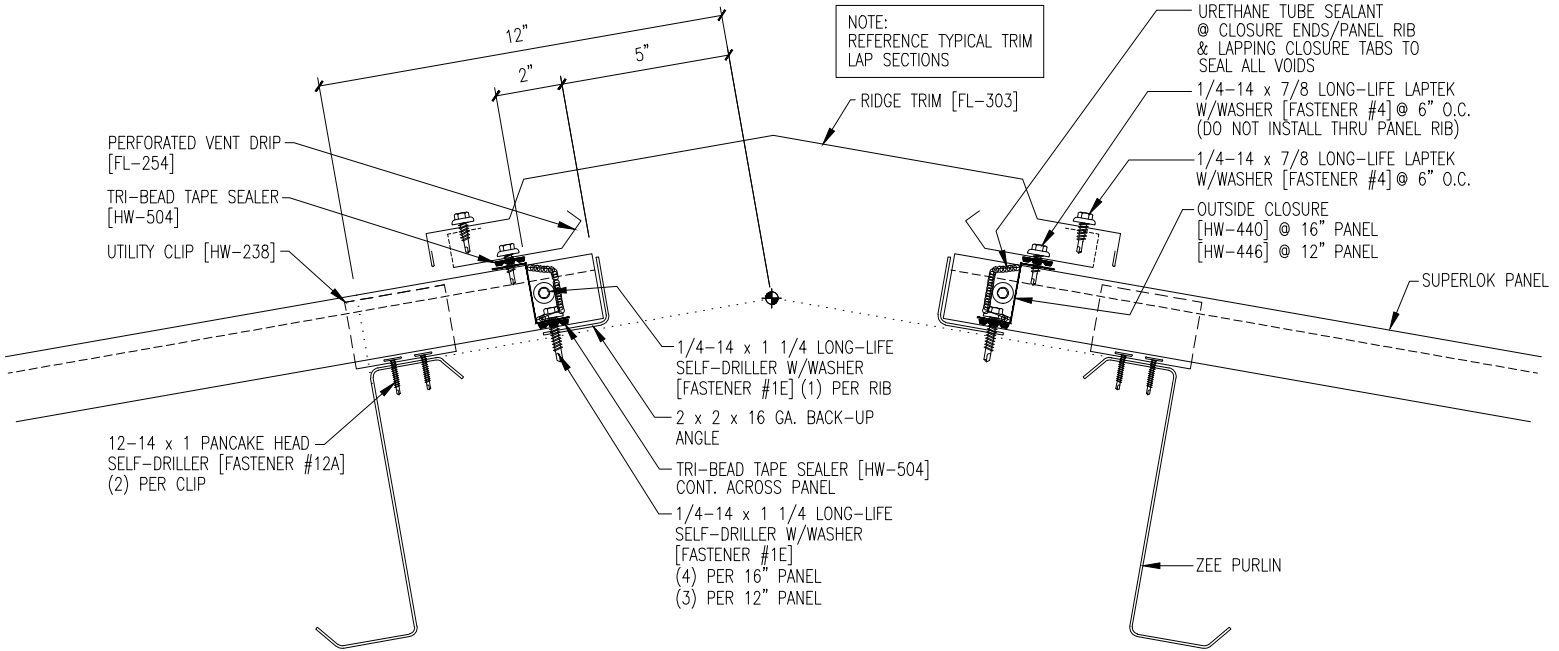


12

12



NOTE:
REFERENCE TYPICAL TRIM
LAP SECTIONS

PERFORATED VENT DRIP
[FL-254]
TRI-BEAD TAPE SEALER
[HW-504]
UTILITY CLIP [HW-238]

12-14 x 1 PANCAKE HEAD
SELF-DRILLER [FASTENER #12A]
(2) PER CLIP

1/4-14 x 1 1/4 LONG-LIFE
SELF-DRILLER W/WASHER
[FASTENER #1E] (1) PER RIB

2 x 2 x 16 GA. BACK-UP
ANGLE

TRI-BEAD TAPE SEALER [HW-504]
CONT. ACROSS PANEL

1/4-14 x 1 1/4 LONG-LIFE
SELF-DRILLER W/WASHER
[FASTENER #1E]
(4) PER 16" PANEL
(3) PER 12" PANEL

RIDGE TRIM [FL-303]

URETHANE TUBE SEALANT
@ CLOSURE ENDS/PANEL RIB
& LAPPING CLOSURE TABS TO
SEAL ALL VOIDS
1/4-14 x 7/8 LONG-LIFE LAPTEK
W/WASHER [FASTENER #4] @ 6" O.C.
(DO NOT INSTALL THRU PANEL RIB)
1/4-14 x 7/8 LONG-LIFE LAPTEK
W/WASHER [FASTENER #4] @ 6" O.C.
OUTSIDE CLOSURE
[HW-440] @ 16" PANEL
[HW-446] @ 12" PANEL

SUPERLOK PANEL

ZEE PURLIN