

1/4-14 x 7/8 LONG-LIFE LAPTEK
W/WASHER [FASTENER #4] @ 6" O.C.
(DO NOT INSTALL THRU PANEL RIB)

OUTSIDE CLOSURE
[HW-440] @ 16" PANEL
[HW-446] @ 12" PANEL

SUPERLOK PANEL

URETHANE TUBE SEALANT
@ CLOSURE ENDS/PANEL RIB
& LAPPING CLOSURE TABS TO
SEAL ALL VOIDS

1/4-14 x 1 1/4 LONG-LIFE
SELF-DRILLER W/WASHER
[FASTENER #1E] (1) PER RIB

2 x 2 x 16 GA. BACK-UP
ANGLE

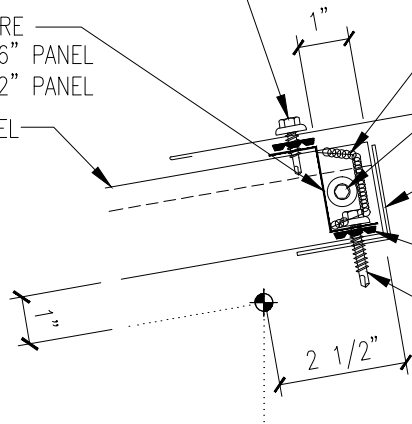
SCULPTURED HIGH SIDE EAVE
TRIM [FL-265]

TRI-BEAD TAPE SEALER [HW-504]
TOP & BOTTOM OF CLOSURE

1/4-14 x 1 1/4 LONG-LIFE
SELF-DRILLER W/WASHER
[FASTENER #1E]

(4) PER 16" PANEL

(3) PER 12" PANEL



ALTERNATE DETAIL

1/4-14 x 7/8 LONG-LIFE LAPTEK
W/WASHER [FASTENER #4] @ 6" O.C.
(DO NOT INSTALL THRU PANEL RIB)

TRI-BEAD TAPE SEALER [HW-504]

OUTSIDE CLOSURE
[HW-440] @ 16" PANEL
[HW-446] @ 12" PANEL

HIGH FLOATING CLIP
[HW-232]

SUPERLOK PANEL

URETHANE TUBE SEALANT
@ CLOSURE ENDS/PANEL RIB
& LAPPING CLOSURE TABS TO
SEAL ALL VOIDS

1/4-14 x 1 1/4 LONG-LIFE
SELF-DRILLER W/WASHER
[FASTENER #1E] (1) PER RIB

TRI-BEAD TAPE SEALER
[HW-504]

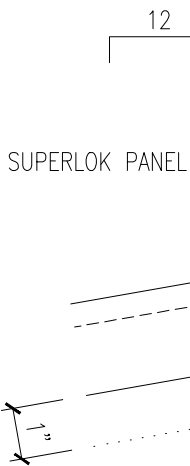
BACKUP PLATE
[HW-7766] @ 16" PANEL
[HW-7764] @ 12" PANEL

1/4-14 x 1 1/4 LONG-LIFE
SELF-DRILLER W/WASHER
[FASTENER #1E]
(4) PER 16" PANEL
(3) PER 12" PANEL

SCULPTURED HIGH EAVE TRIM
[FL-265]

12-14 x 1 1/4 LONG-LIFE SELF-
DRILLER W/WASHER [FASTENER #3]

1/4-14 x 1 1/4 SELF-DRILLER
W/O WASHER [FASTENER #1B]
(2) PER CLIP



NOTE:
REFERENCE TYPICAL TRIM
LAP SECTIONS

EAVE STRUT

1/4-14 x 7/8 LONG-LIFE LAPTEK
W/WASHER [FASTENER #4] @ 12" O.C.

OUTSIDE CLOSURE

WALL PANEL

O/O DIMENSION
(SEE PLAN)