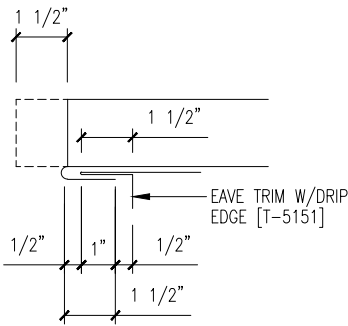
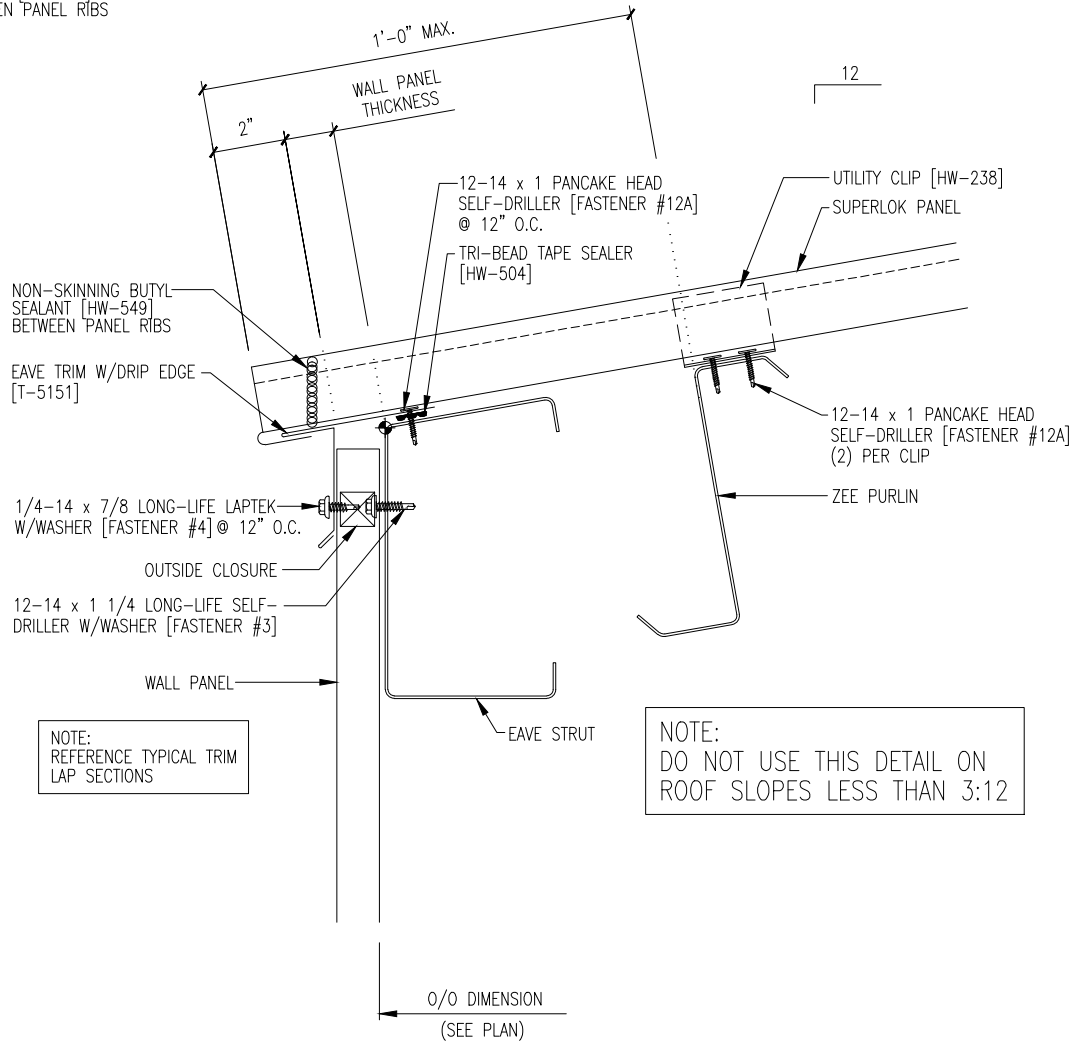


**EAVE SEALANT DETAIL**

BUTYL SEALANT MUST COME IN CONTACT WITH THE DRIP EDGE TO FORM A WEATHERTIGHT SEAL



FIELD NOTCH PANEL LEGS AND BEND PAN TO FORM OPEN HEM



NOTE: REFERENCE TYPICAL TRIM LAP SECTIONS

NOTE: DO NOT USE THIS DETAIL ON ROOF SLOPES LESS THAN 3:12