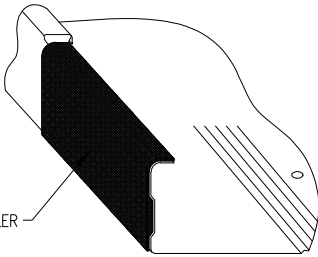
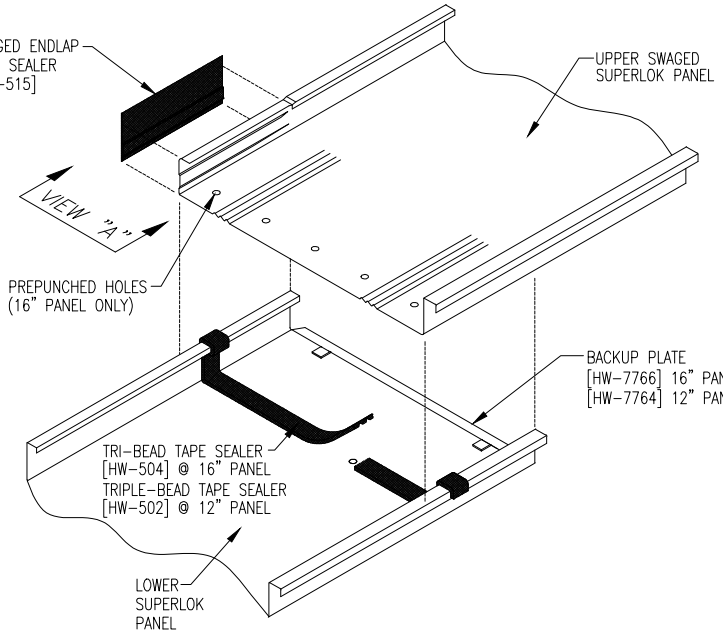


SWAGED ENDLAP TAPE SEALER
[HW-515]



VIEW "A"

SWAGED ENDLAP
TAPE SEALER
[HW-515]



BACKUP PLATE
[HW-7766] 16" PANEL
[HW-7764] 12" PANEL

LOWER
SUPERLOK
PANEL

UPPER SWAGED
SUPERLOK PANEL

1/4-14 x 1 1/4 LONG-LIFE
SELF-DRILLER W/WASHER
[FASTENER #1E]
(5) PER 16" PANEL
(4) PER 12" PANEL

TRI-BEAD TAPE SEALER
[HW-504] @ 16" PANEL
TRIPLE-BEAD TAPE SEALER
[HW-502] @ 12" PANEL

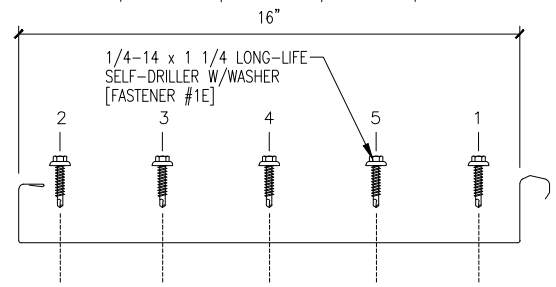
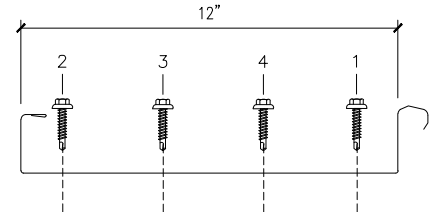
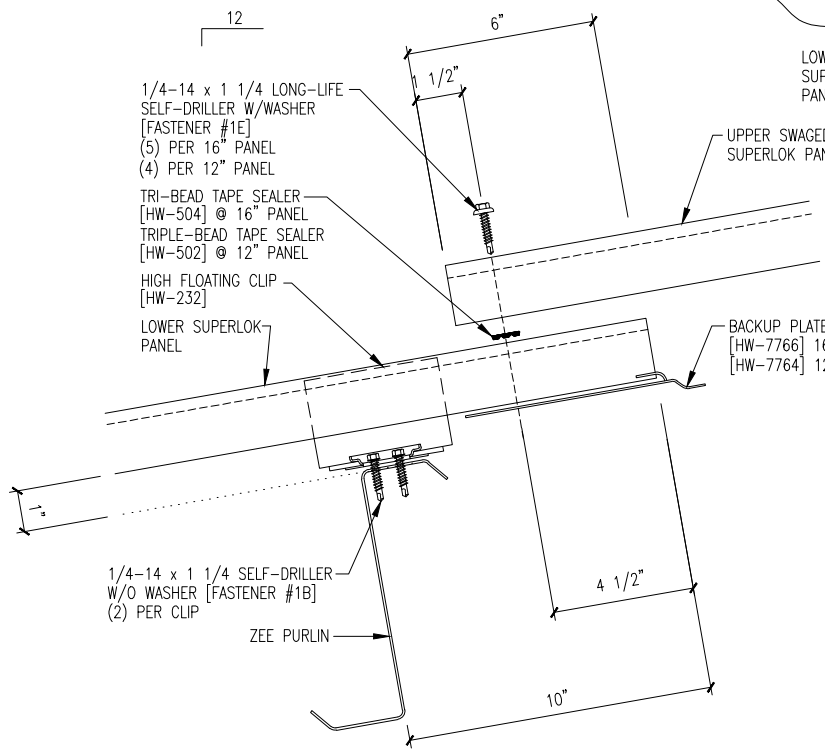
HIGH FLOATING CLIP
[HW-232]

LOWER SUPERLOK-
PANEL

BACKUP PLATE
[HW-7766] 16" PANEL
[HW-7764] 12" PANEL

1/4-14 x 1 1/4 SELF-DRILLER
W/O WASHER [FASTENER #1B]
(2) PER CLIP

ZEE PURLIN



FASTENER INSTALLATION SEQUENCE