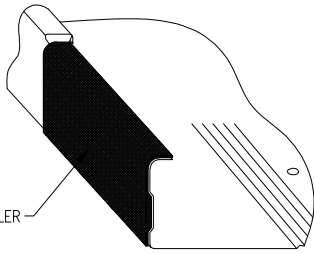
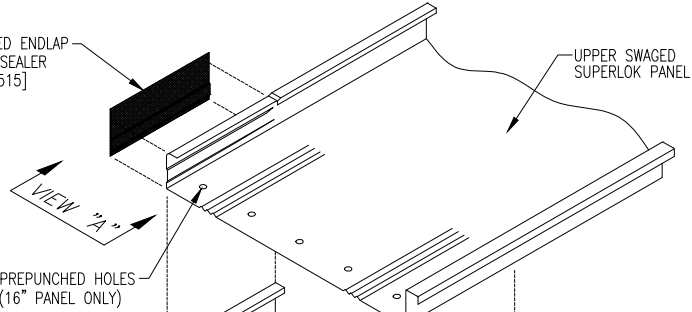


SWAGED ENDLAP TAPE SEALER
[HW-515]



VIEW "A"

SWAGED ENDLAP TAPE SEALER
[HW-515]



UPPER SWAGED SUPERLOK PANEL

PREPUNCHED HOLES
(16" PANEL ONLY)

BACKUP PLATE
[HW-7766] 16" PANEL
[HW-7764] 12" PANEL

TRI-BEAD TAPE SEALER
[HW-504] @ 16" PANEL
TRIPLE-BEAD TAPE SEALER
[HW-502] @ 12" PANEL

LOWER SUPERLOK PANEL

12"

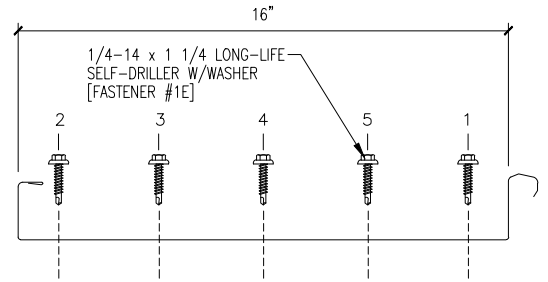
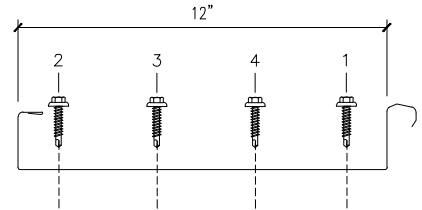
1/4-14 x 1 1/4 LONG-LIFE SELF-DRILLER W/WASHER [FASTENER #1E]
(5) PER 16" PANEL
(4) PER 12" PANEL

TRI-BEAD TAPE SEALER [HW-504] @ 16" PANEL
TRIPLE-BEAD TAPE SEALER [HW-502] @ 12" PANEL

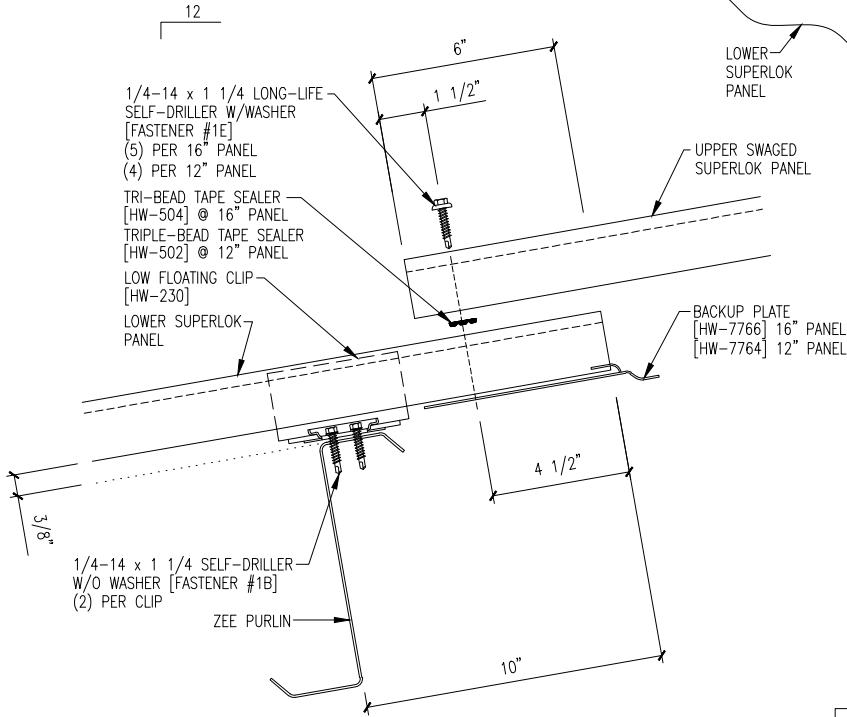
LOW FLOATING CLIP [HW-230]
LOWER SUPERLOK PANEL

UPPER SWAGED SUPERLOK PANEL

BACKUP PLATE [HW-7766] 16" PANEL [HW-7764] 12" PANEL



FASTENER INSTALLATION SEQUENCE



1/4-14 x 1 1/4 SELF-DRILLER W/O WASHER [FASTENER #1B]
(2) PER CLIP

ZEE PURLIN