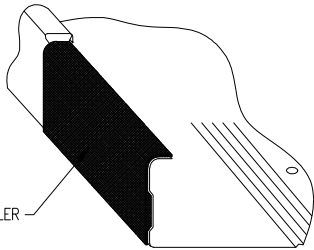


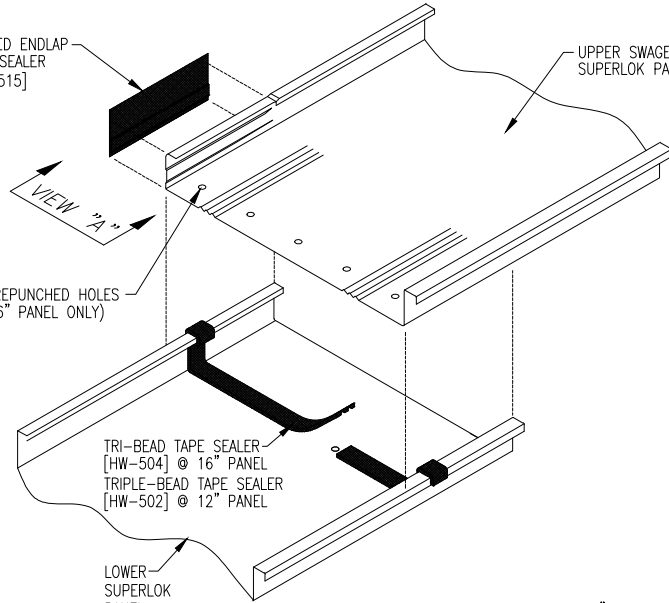
SWAGED ENDLAP TAPE SEALER
[HW-515]



VIEW "A"

SWAGED ENDLAP
TAPE SEALER
[HW-515]

UPPER SWAGED
SUPERLOK PANEL



PREPUNCHED HOLES
(16" PANEL ONLY)

TRI-BEAD TAPE SEALER
[HW-504] @ 16" PANEL
TRIPLE-BEAD TAPE SEALER
[HW-502] @ 12" PANEL

LOWER
SUPERLOK
PANEL

UPPER SWAGED
SUPERLOK PANEL

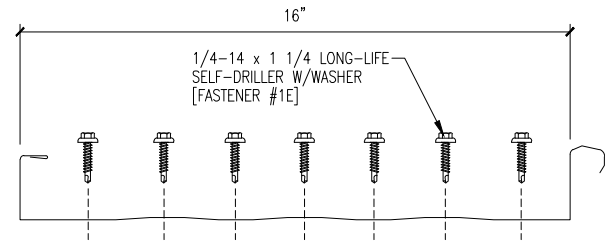
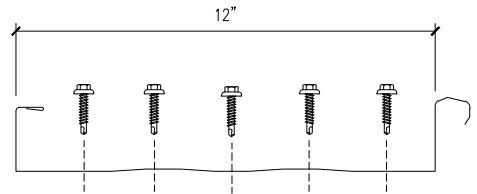
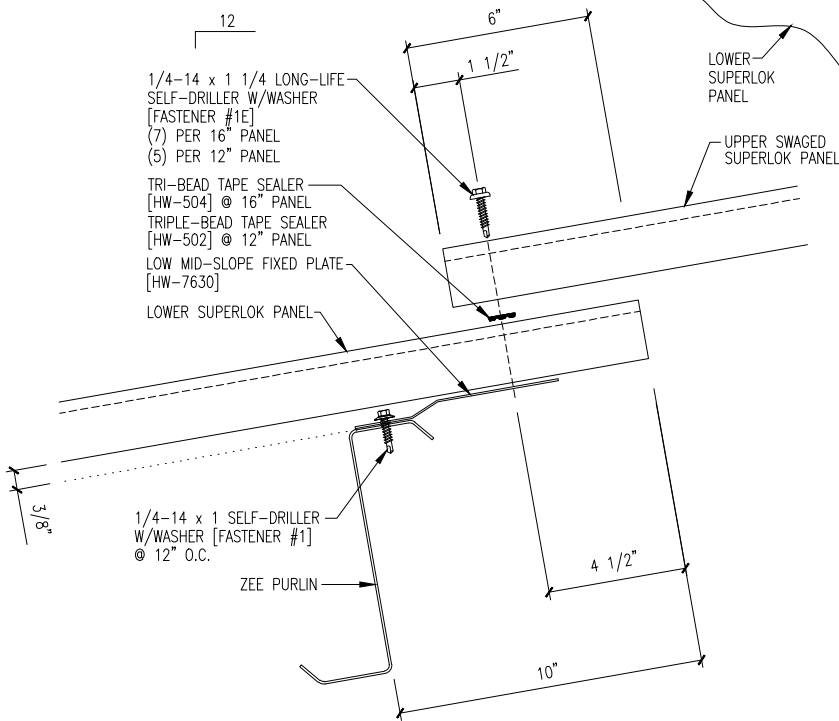
12
1/4-14 x 1 1/4 LONG-LIFE
SELF-DRILLER W/WASHER
[FASTENER #1E]
(7) PER 16" PANEL
(5) PER 12" PANEL

TRI-BEAD TAPE SEALER
[HW-504] @ 16" PANEL
TRIPLE-BEAD TAPE SEALER
[HW-502] @ 12" PANEL
LOW MID-SLOPE FIXED PLATE
[HW-7630]

LOWER SUPERLOK PANEL

1/4-14 x 1 SELF-DRILLER
W/WASHER [FASTENER #1]
@ 12" O.C.

ZEE PURLIN



FASTENER LOCATIONS