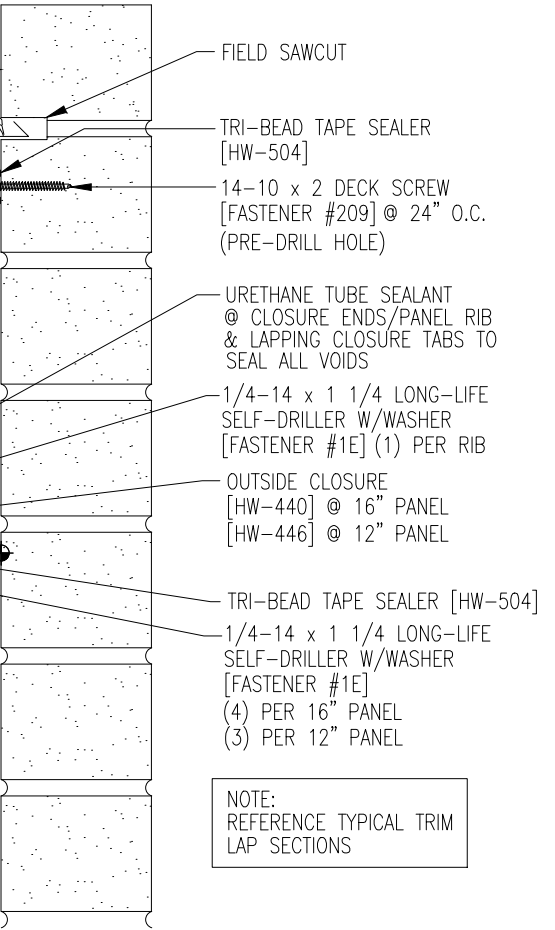
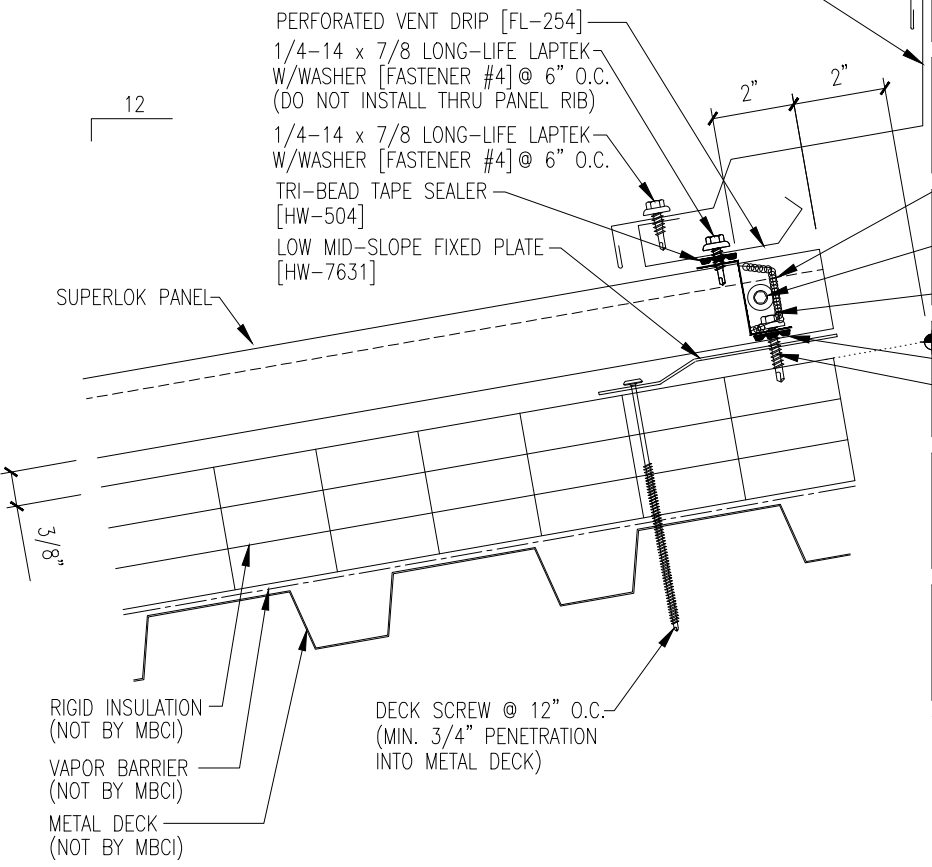


O/O DIMENSION
(SEE PLAN)



NOTE:
REFERENCE TYPICAL TRIM
LAP SECTIONS