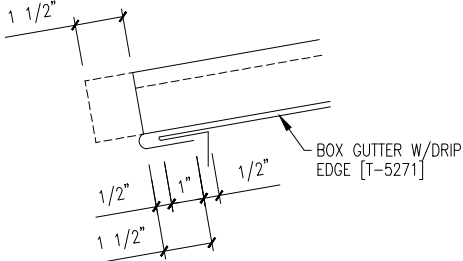


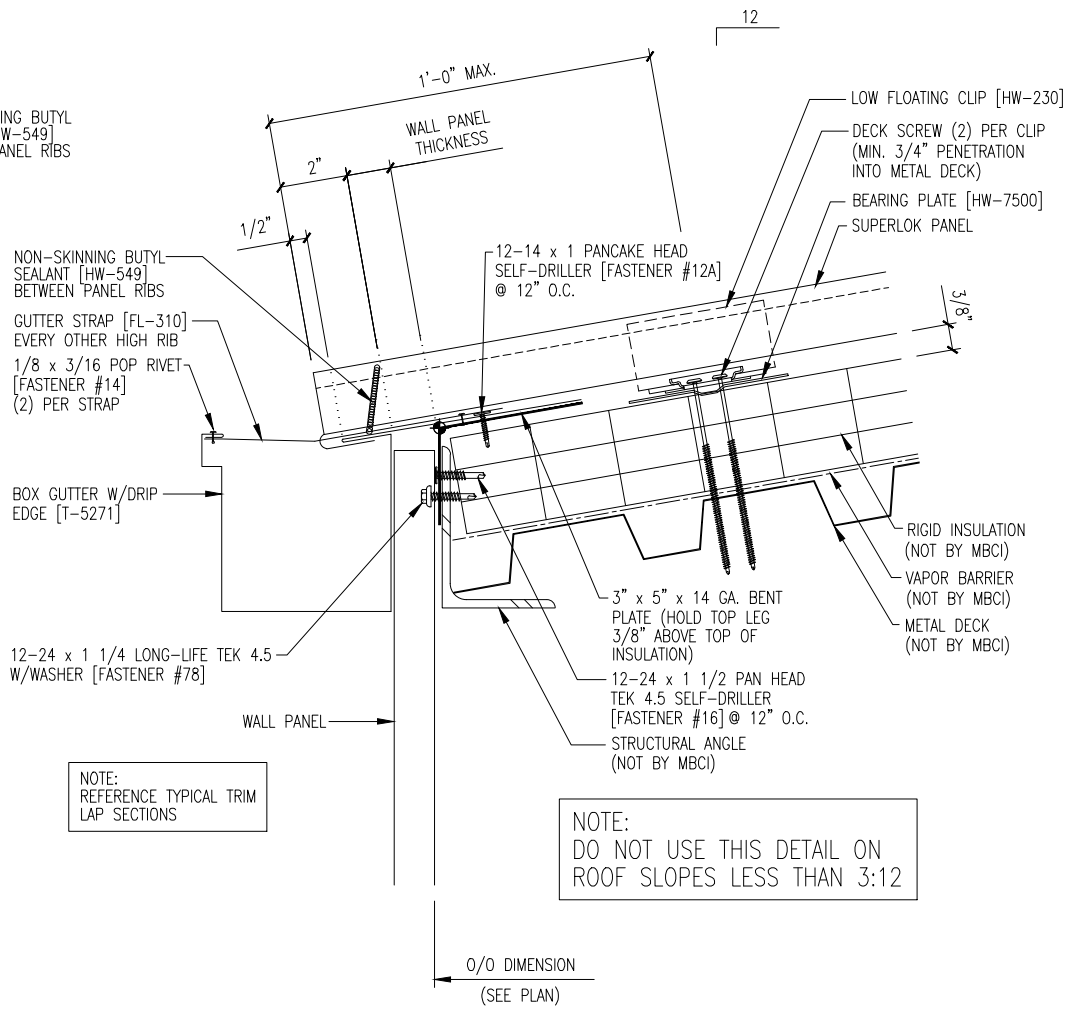
EAVE SEALANT DETAIL

BUTYL SEALANT MUST COME IN CONTACT WITH THE DRIP EDGE TO FORM A WEATHERTIGHT SEAL



FIELD NOTCH PANEL AS REQ'D. & BEND PAN TO FORM OPEN HEM

PANEL ENGAGEMENT DETAIL



NOTE: REFERENCE TYPICAL TRIM LAP SECTIONS