

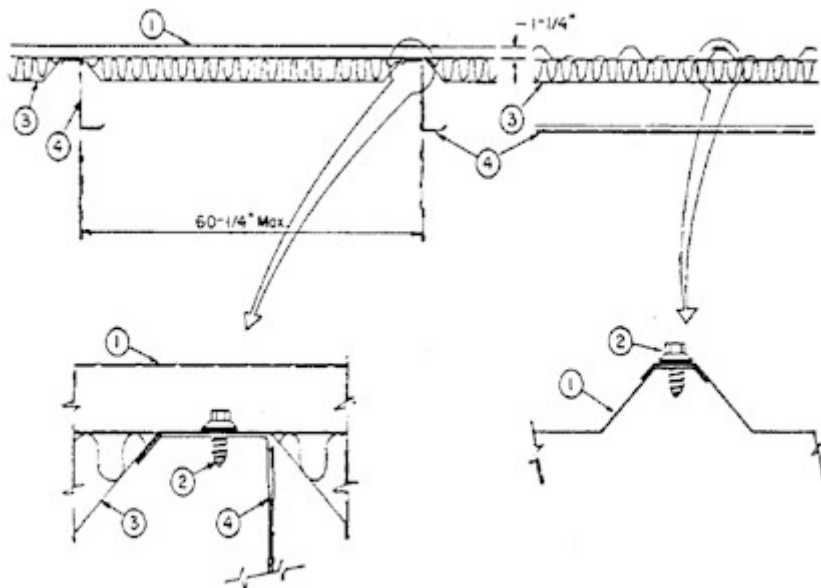


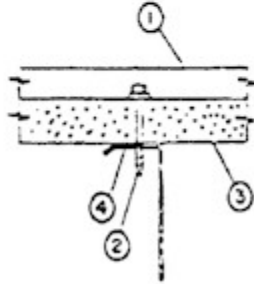
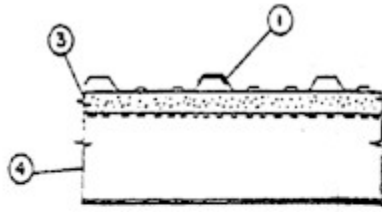
Metal Roof and Wall Systems
www.mbcicom

Construction No. 112

Wind Uplift - Steel Panels - Class 90

Fire Not Investigated





1. Metal Roof Deck Panels* No. 26 MSG min gauge coated steel. Panels continuous over two or more spans. End laps to occur over purlins with panels overlapped 3 in. min with laps beginning even with purlin web and extending across purlin flange. A bead of sealant may be used at panel side and end laps.

- A&S BUILDING SYSTEMS, INC. -"R" or "PBR"
- KIRBY BUILDING SYSTEMS INC--"Kirby-Rib"
- STRAN BUILDINGS--"SR" Panel
- NCI BUILDING SYSTEMS L.P.-"R" or "PBR"
- MBCI-"R" or "PBR"
- MESCO METAL BUILDINGS-"R" or "PBR"
- MIDLAND METALS, INC. — "PBR"

2. Panel Fasteners When using compressible blanket insulation - for panel to purlin connections to be No. 14 self-tapping hex-head plated steel or stainless steel screws with a separate steel washer 5/8 in. diam. and a neoprene sealing washer. Length to be 3/4 in. for 3 in. max thickness insulation and 1 1/4 in. for over 3 in. thickness. Fasteners for panel to panel connections to be same type 3/4 in. long. Pilot holes to be 13/64 in. diam. Spacing for panel to purlin fasteners to be in a 5-7-5-7 in. pattern located 2 1/2 in. from the center line on both sides of each major rib. Spacing at end lap to be the same. For panel to panel connections, fasteners to be 20 in. O.C. with a fastener located approximately in line with the purlin fasteners.

As An Alternate Fastener - For panel to purlin connections to be No. 12-14 self-drilling, self-tapping, hex-head plated or stainless steel screws with a separate 1/2 in. O.D. steel washer and a neoprene sealing washer. Length to be 1 in. for up to 3 in. max thickness insulation and 1-1/2 in. for over 3 in. thickness. For panel to panel connections to be No. 14 by 7/8 in. lap tek . Spacing to be the same as above.

Panel Fasteners When Using Rigid Insulation For panel to purlin connections to be No. 12-14 self-drilling, self-tapping, hex-head, plated steel stand-off screws with a separate 5/8 O.C. formed steel washer and a separate neoprene sealing washer. Min fastener length to be 7/8 in. longer

than nom thickness of rigid insulation. Fasteners for panel to panel connections to be same as for compressible insulation. Spacing to be same as above.

3. Insulation (Optional) - Any compressible blanket insulation 4 in. max thickness before compression or rigid type - 2-1/4 in. max thickness; 4 ft wide. Butt joints (rigid insulation) to occur over purlins. Top surface of all joints to be continuously sealed with a 2 in. wide vapor barrier tape pressure sensitive on one side.

- CELOTEX CORP--Types TF600(B), TF604(B), TF610(B) or Thermax Plus (Blackore).

4. Purlins No. 16 MSG min gauge steel (55,000 psi min yield strength.)

5. Lateral Bracing (Not shown) - As required.

Refer to General Information, Roof Deck Constructions (Roofing Materials and Systems Directory) for items not evaluated.

*Bearing the UL Classification Marking