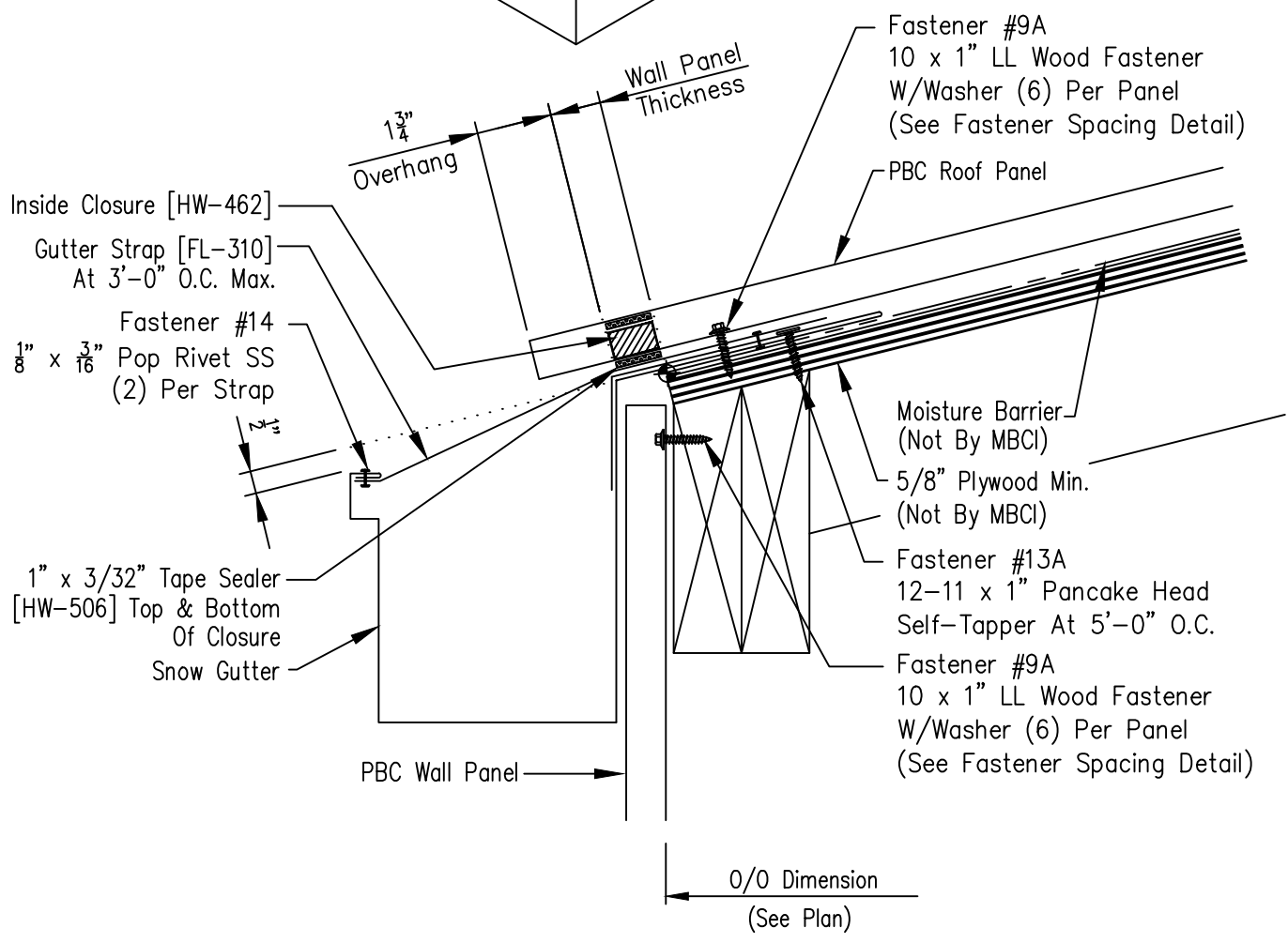


Eave Sealant Detail

(3:12 Min.) 12



Inside Closure [HW-462]  
Gutter Strap [FL-310]  
At 3'-0" O.C. Max.

Fastener #14  
1/8" x 3/16" Pop Rivet SS  
(2) Per Strap

1" x 3/32" Tape Sealer  
[HW-506] Top & Bottom  
Of Closure  
Snow Gutter

1 3/4"  
Overhang  
Wall Panel  
Thickness

Fastener #9A  
10 x 1" LL Wood Fastener  
W/Washer (6) Per Panel  
(See Fastener Spacing Detail)

Moisture Barrier  
(Not By MBI)  
5/8" Plywood Min.  
(Not By MBI)

Fastener #13A  
12-11 x 1" Pancake Head  
Self-Tapper At 5'-0" O.C.

Fastener #9A  
10 x 1" LL Wood Fastener  
W/Washer (6) Per Panel  
(See Fastener Spacing Detail)

PBC Wall Panel

0/0 Dimension  
(See Plan)