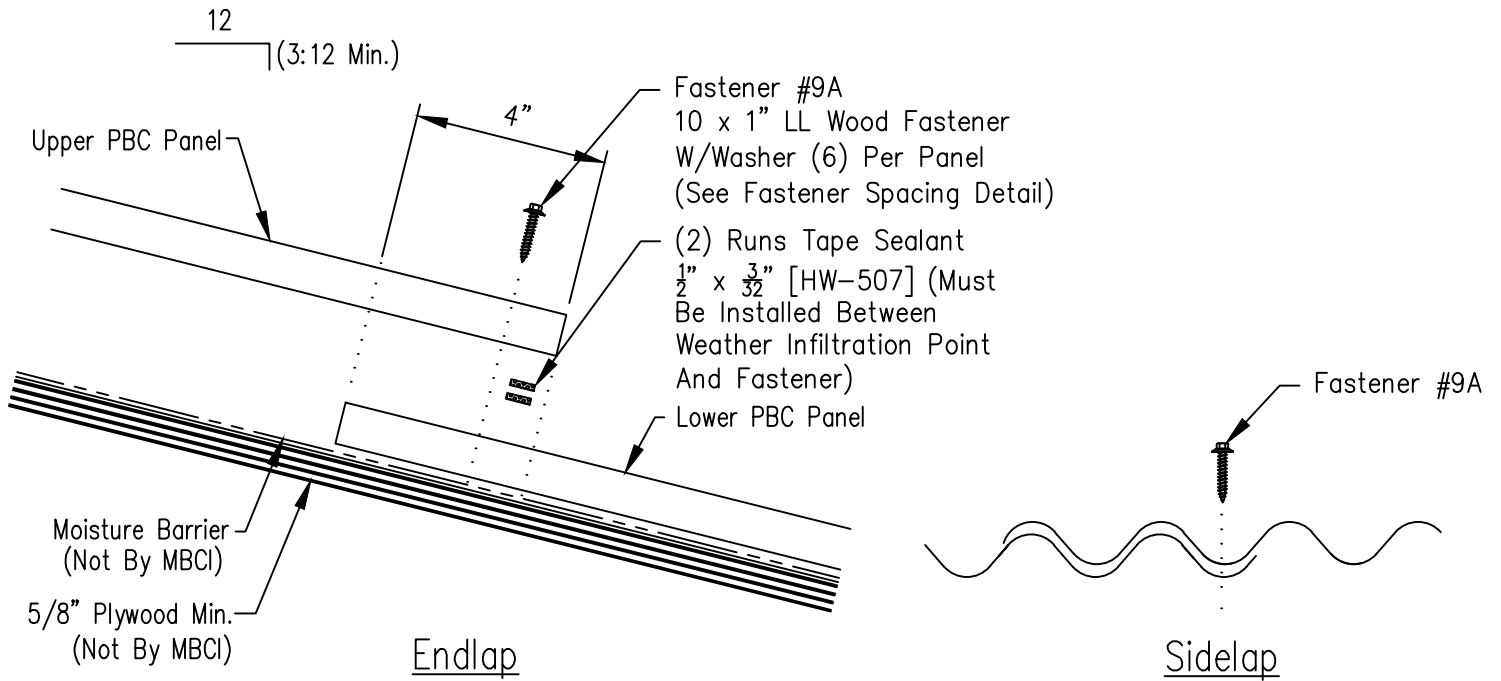


Endlap Sealant Detail



Side Lap Two Full Corrugations
Note That 32" Panel Coverage
Will Be Lessened