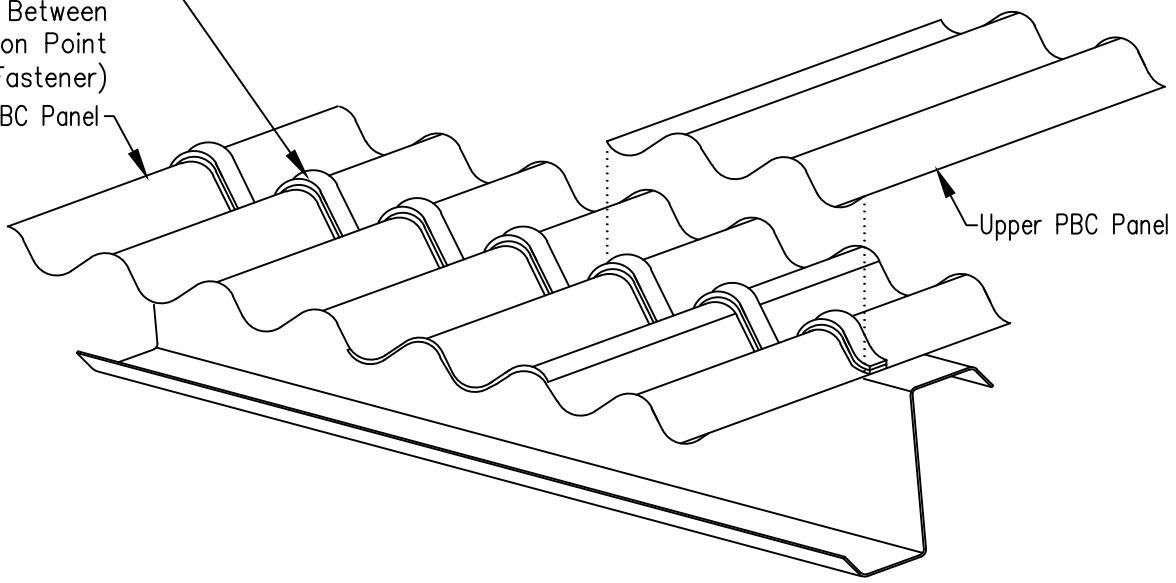


(2) Runs Tape Sealant  
 $\frac{1}{2}$ " x  $\frac{3}{32}$ " [HW-507] (Must  
 Be Installed Between  
 Weather Infiltration Point  
 And Fastener)

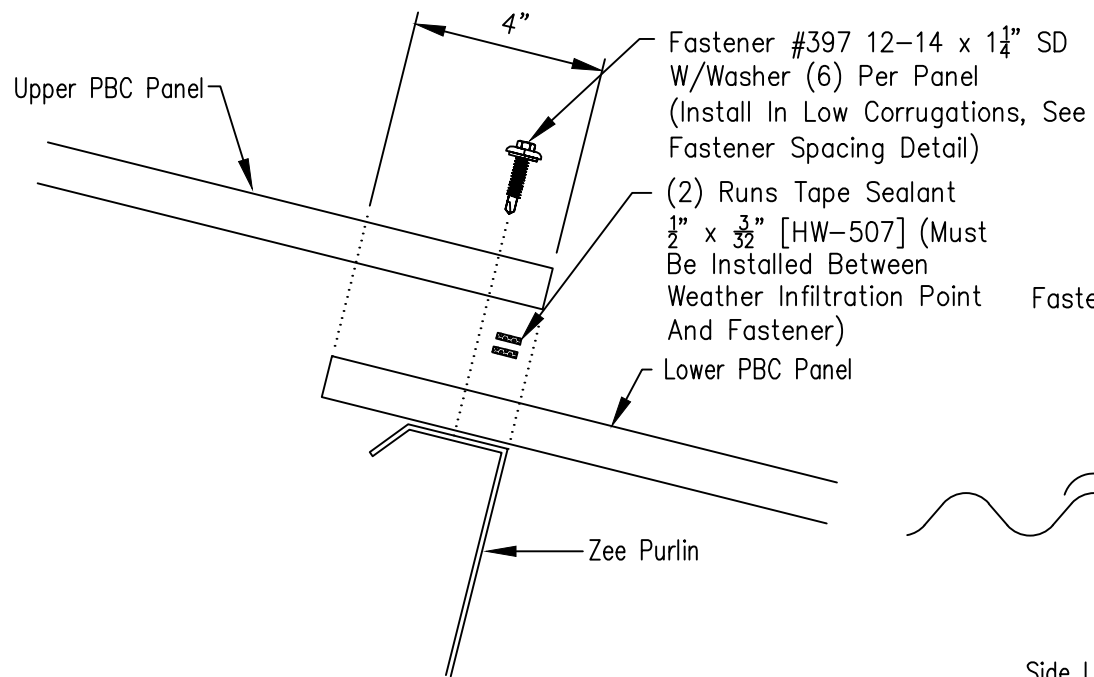
Lower PBC Panel



Upper PBC Panel

Endlap Sealant Detail

12  
 (3:12 Min.)



Fastener #397



Sidelap

Side Lap Two Full Corrugations  
 Note That 32" Panel Coverage  
 Will Be Lessened

Endlap