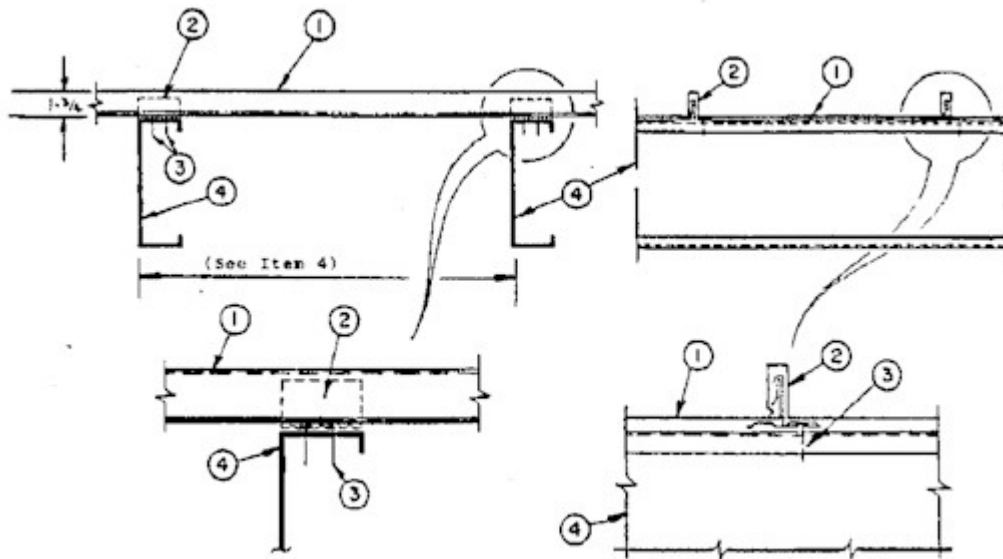


Construction No. 446

Uplift - Class 90

Fire Not Investigated



1. Metal Roof Deck Panels* No. 24 MSG min coated steel. Max panel width 18 in., rib height 1-3/4 in. Panels continuous over two or more spans. No endlaps. A bead of sealant may be used at panel ends and side joints.

- A&S BUILDING SYSTEMS, INC.-"LokSeam"
- MBCI-"LokSeam"
- MESCO METAL BUILDINGS-"LokSeam"
- NCI BUILDING SYSTEMS LP-"LokSeam"

2. Roof Deck Fasteners* - (Panel Clips) One piece assembly, 3-1/2 in. wide by 1-7/8 in. high. Clip spacing to be 48 in. OC.

- NCI BUILDING SYSTEMS LP-"LokSeam UL 90 Clip"

3. Panel Fasteners - (Screws) Screws used to attach panel clips (Item 2) to purlins to be No. 10 by 1 in. long No. 3 self-drilling point, No. 2 Phillips Pancake head. Two screws per clip.

4. Purlins No. 16 MSG min thickness steel (min yield 50 ksi) spaced 48 in. OC.

5. Insulation - (Optional) (not shown) 3 in. thick vinyl faced blanket insulation. To be installed between metal panels (Item 1) and purlins (Item 4).

Refer to General Information, Roof Deck Construction, (Roofing Materials and Systems Directory for Items Not Evaluated.

*Bearing the UL Classification Marking