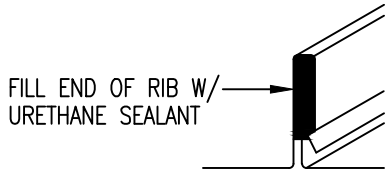
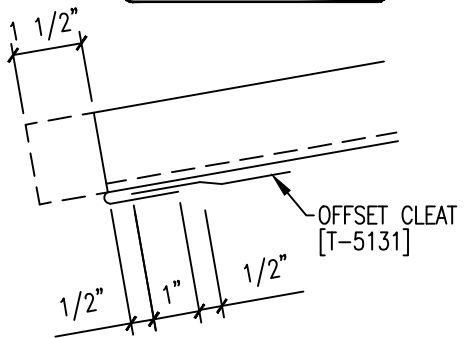


FIELD CUT PANEL RIBS
AND BEND PAN OVER
TO FORM OPEN HEM



12

