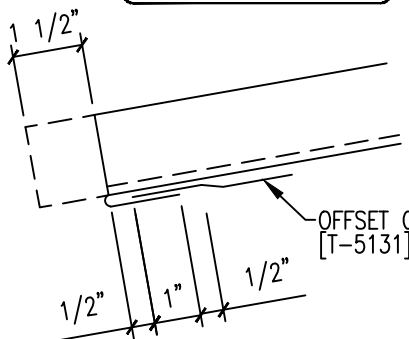
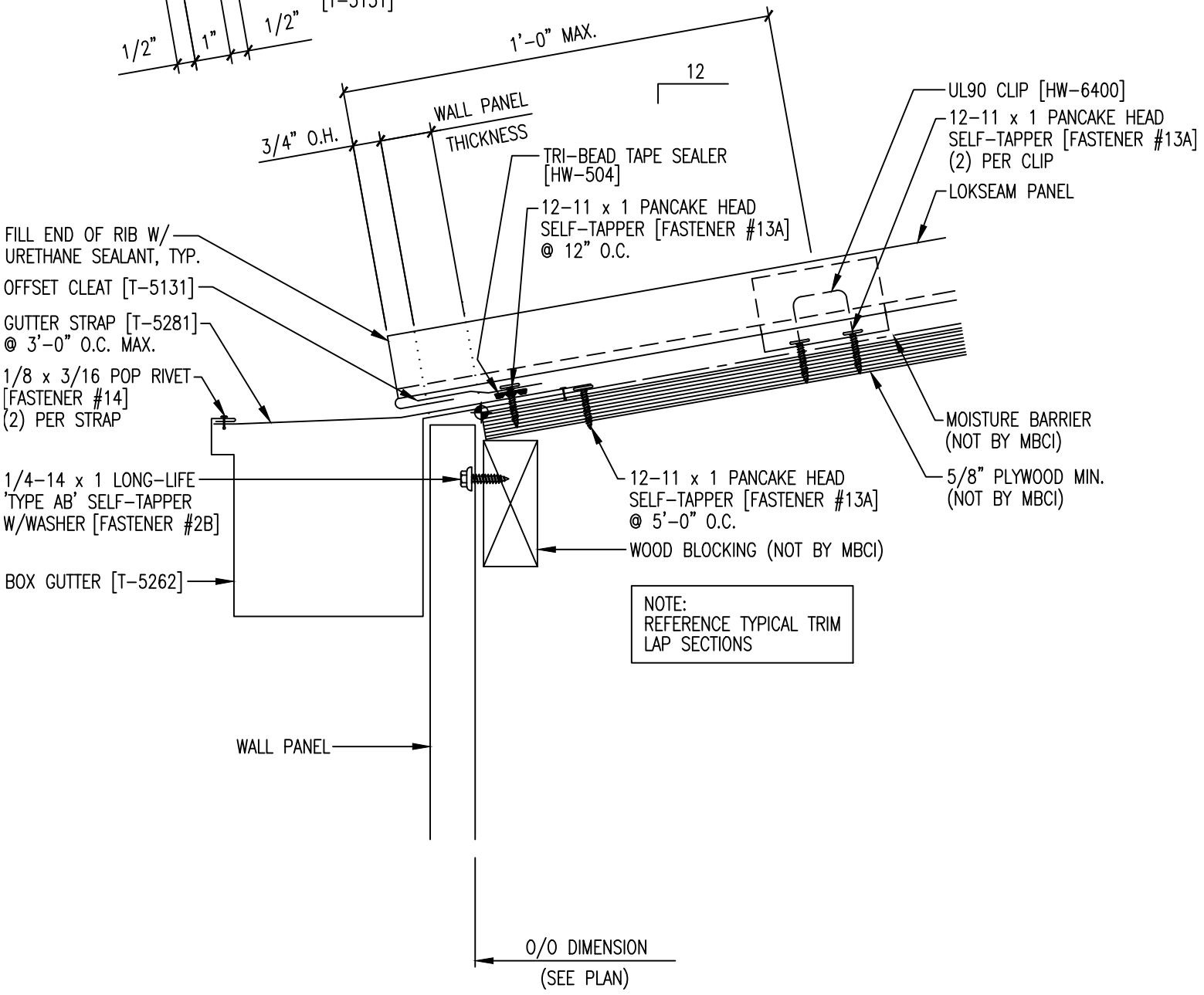
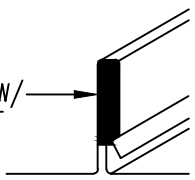


FIELD CUT PANEL RIBS  
AND BEND PAN OVER  
TO FORM OPEN HEM



FILL END OF RIB W/  
URETHANE SEALANT



FILL END OF RIB W/  
URETHANE SEALANT, TYP.

OFFSET CLEAT [T-5131]

GUTTER STRAP [T-5281]  
@ 3'-0" O.C. MAX.

1/8 x 3/16 POP RIVET  
[FASTENER #14]  
(2) PER STRAP

1/4-14 x 1 LONG-LIFE  
'TYPE AB' SELF-TAPPER  
W/WASHER [FASTENER #2B]

BOX GUTTER [T-5262]

WALL PANEL

1'-0" MAX.

12

3/4" O.H.  
WALL PANEL  
THICKNESS

TRI-BEAD TAPE SEALER  
[HW-504]

12-11 x 1 PANCAKE HEAD  
SELF-TAPPER [FASTENER #13A]  
@ 12" O.C.

UL90 CLIP [HW-6400]

12-11 x 1 PANCAKE HEAD  
SELF-TAPPER [FASTENER #13A]  
(2) PER CLIP

LOKSEAM PANEL

MOISTURE BARRIER  
(NOT BY MBCI)

5/8" PLYWOOD MIN.  
(NOT BY MBCI)

12-11 x 1 PANCAKE HEAD  
SELF-TAPPER [FASTENER #13A]  
@ 5'-0" O.C.

WOOD BLOCKING (NOT BY MBCI)

NOTE:  
REFERENCE TYPICAL TRIM  
LAP SECTIONS

O/O DIMENSION  
(SEE PLAN)