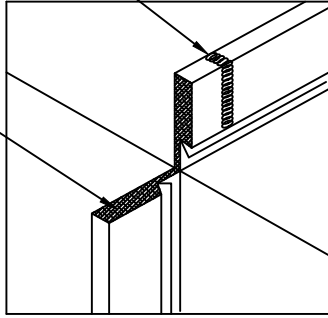


APPLY BEAD OF URETHANE SEALANT OVER RIB BEFORE APPLYING RIB COVER

FILL BOTH ENDS W/ URETHANE SEALANT



FIELD CUT PANEL RIBS AND BEND PAN OVER AT TRANSITION.

12

