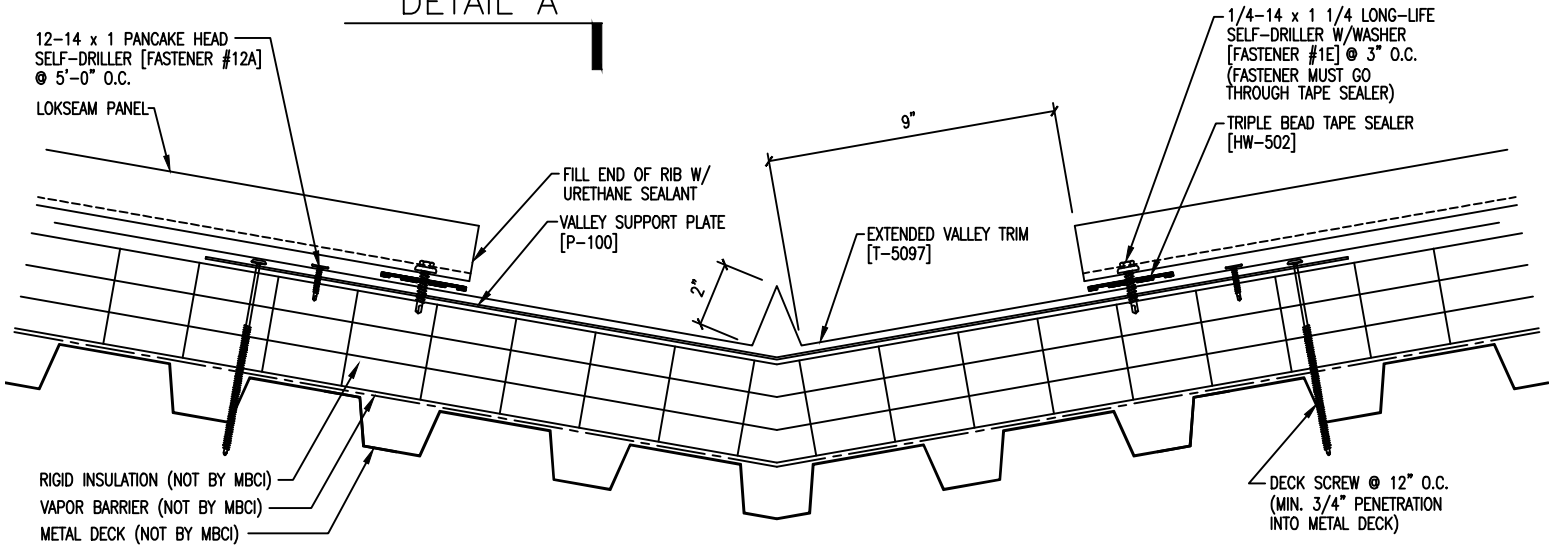


DETAIL A



NOTE:
REFERENCE TYPICAL TRIM
LAP SECTIONS