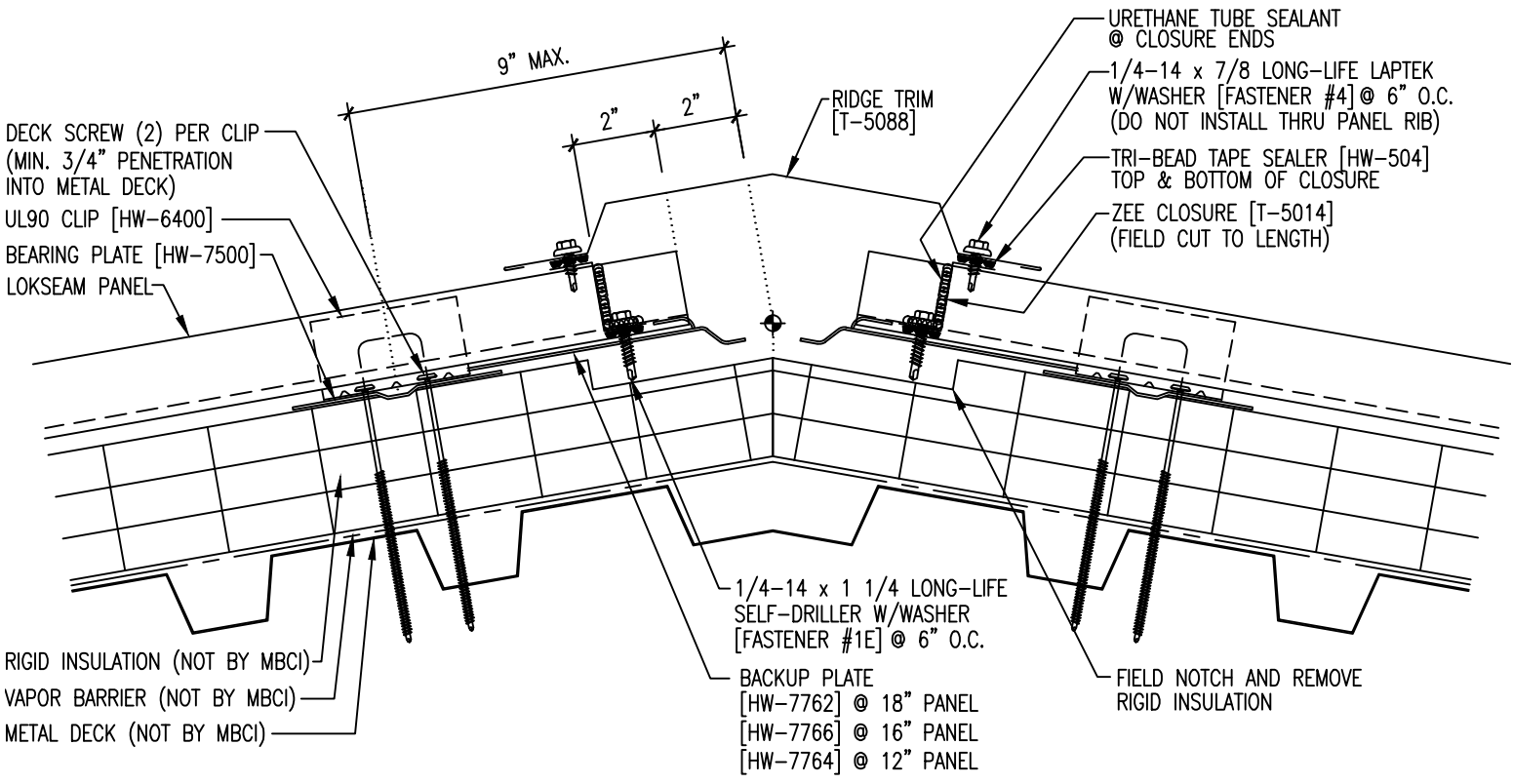


12

12



DECK SCREW (2) PER CLIP
(MIN. 3/4" PENETRATION
INTO METAL DECK)

UL90 CLIP [HW-6400]

BEARING PLATE [HW-7500]

LOKSEAM PANEL

RIGID INSULATION (NOT BY MBCI)

VAPOR BARRIER (NOT BY MBCI)

METAL DECK (NOT BY MBCI)

9" MAX.

2" 2"

RIDGE TRIM
[T-5088]

URETHANE TUBE SEALANT
@ CLOSURE ENDS

1/4-14 x 7/8 LONG-LIFE LAPTEK
W/WASHER [FASTENER #4] @ 6" O.C.
(DO NOT INSTALL THRU PANEL RIB)

TRI-BEAD TAPE SEALER [HW-504]
TOP & BOTTOM OF CLOSURE

ZEE CLOSURE [T-5014]
(FIELD CUT TO LENGTH)

1/4-14 x 1 1/4 LONG-LIFE
SELF-DRILLER W/WASHER
[FASTENER #1E] @ 6" O.C.

BACKUP PLATE
[HW-7762] @ 18" PANEL
[HW-7766] @ 16" PANEL
[HW-7764] @ 12" PANEL

FIELD NOTCH AND REMOVE
RIGID INSULATION

NOTE:
REFERENCE TYPICAL TRIM
LAP SECTIONS