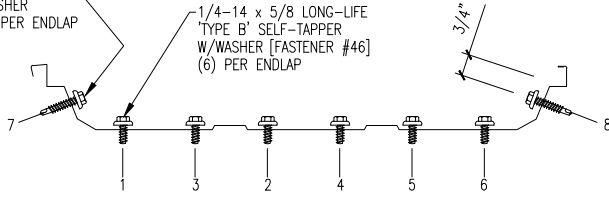


1/4-14 x 1 1/4 LONG-LIFE
SELF-DRILLER W/WASHER
[FASTENER #1E] (2) PER ENDLAP
@ TRAPEZOIDS



FASTENER SEQUENCE @ ENDLAP

TRI-BEAD TAPE SEALER [HW-504]
CONT. ACROSS PANEL OVER
PRE-PUNCHED HOLES

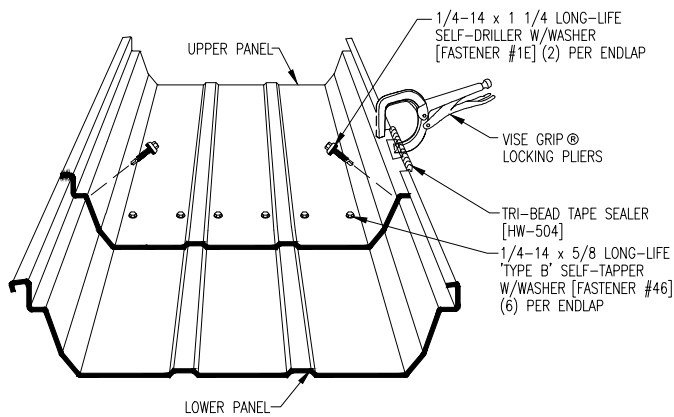
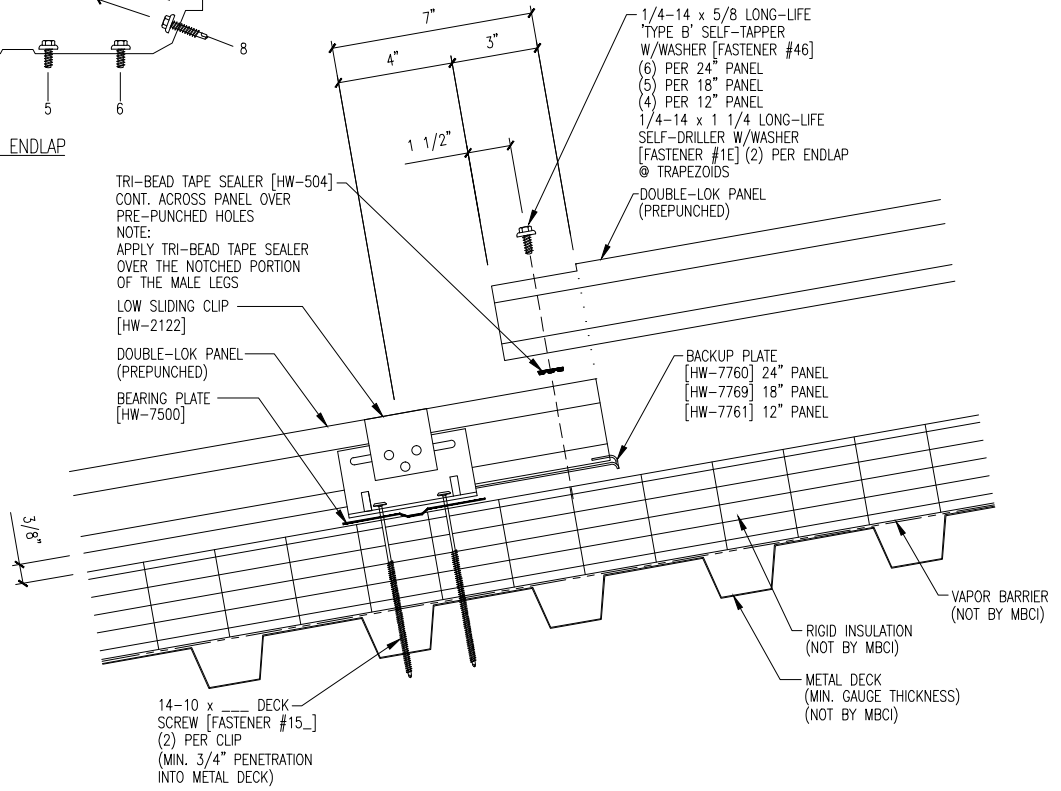
NOTE:
APPLY TRI-BEAD TAPE SEALER
OVER THE NOTCHED PORTION
OF THE MALE LEGS

LOW SLIDING CLIP
[HW-2122]

DOUBLE-LOK PANEL
(PREPUNCHED)

BEARING PLATE
[HW-7500]

12



PANEL INSTALLATION SEQUENCE