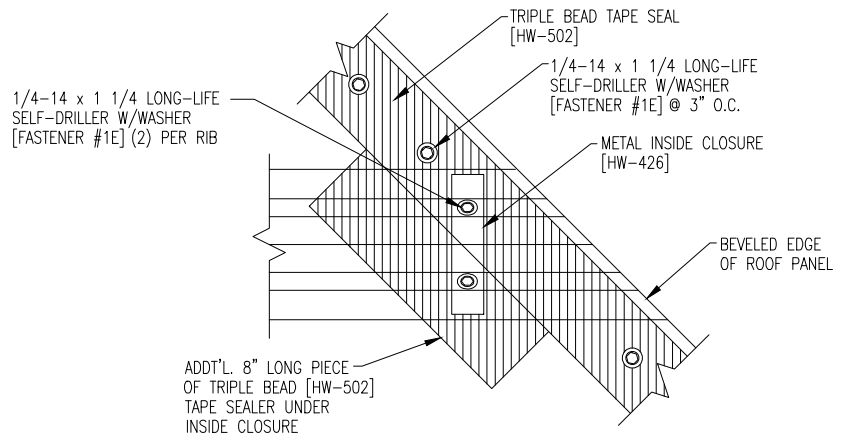


NOTE:
REFERENCE TYPICAL TRIM
LAP SECTIONS

NOTE:
DETAIL TO BE USED WITH LOW SLIDING SYSTEM
WHEN EAVE PLATE IS NOT REQ'D. AT EAVE.



DETAIL "A"