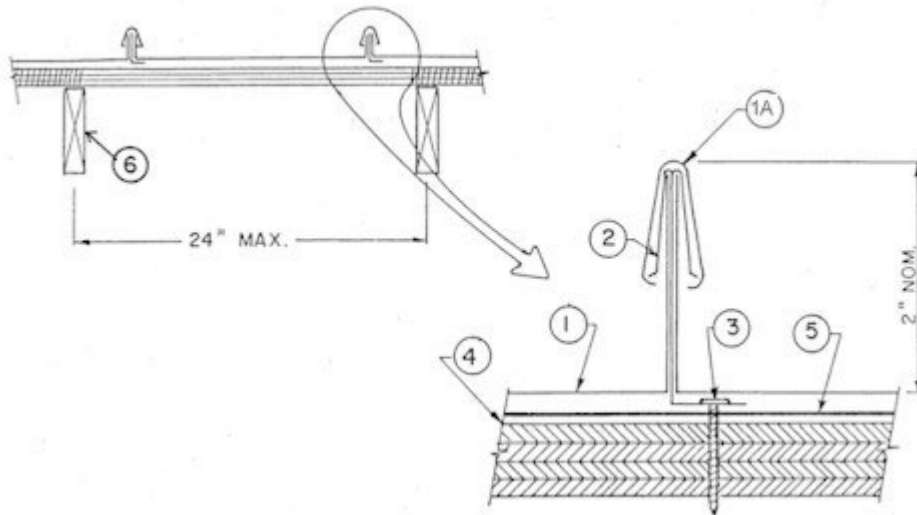


Construction No. 282

Uplift - Class 90
Fire - Not Investigated



1. Metal Roof Deck Panels* No. 24 MSG min coated steel. Max panel width 22-1/2 in. and rib height 1-7/8 in. Panels continuous over two or more spans. End-laps to occur adjacent to supports with panels overlapped 4 in. A line of sealant may be used at panel ends and side laps.

- MBCI--"Craftsman Series HB"
- NCI BUILDING SYSTEMS LP--"Craftsman Series HB"

1A. Metal Roof Deck Panels* (Battens) - Battens covering panel ribs and clips to be 3/8 in. wide and 7/8 in. high, formed from the same type and thickness material as that used to fabricate metal panels (Item 1).

- MBCI--"Small Batten"
- NCI BUILDING SYSTEMS LP--"Small Batten"

2. Roof Deck Fasteners* (Panel Clips) - One piece clip, 1-7/8 in. high, 1-1/2 in. wide by 2 in. long. Clips are spaced max 24 in. OC, located at the panel sides with guide holes in bottom to accommodate screw fasteners (Item 3).

- NCI BUILDING SYSTEMS LP --"HB Clip"

3. Fasteners (Screws) - Screws used to attach the panel clips to plywood or OSB to be No. 10 by 1 in. long Pancake head wood screw with a No. 2 Phillips head size. One screw per clip.

Screws used to attach plywood or OSB substructure (Item 4) to wood trusses or joists (Item 6) to be No. 8 by 2 in. Bugle head screws. As an optional fastener, 2-1/2 in. long 8d common deformed shank nails may be used.

When light gauge structural steel joists are used, screws to be No. 12 by 1-5/8 in. long with a Phillips head.

Spacing of screws to be 6 in. OC at plywood or OSB ends and 12 in. OC at interior joists.

4. Substructure (Plywood or OSB) Plywood decking to be a nom 5/8 in. thick, exposure sheathing span C-D, 40/20 plywood or oriented strand board (OSB), nom 9/16 in. thick.. (All butt joints to be sealed against leakage by using tape and/or caulk).

5. Waterproof Membrane (Optional) - Used to protect plywood or OSB (Item 4). Installed under panels (Item 1). Joists spaced at a max of 2 ft, 0 in. OC max, may be one of the following:

A. Nom 2 by 6 in. wood joists No. 2 or better.

B. Nom 2 by 4 in. wood when used on a top chord of a wood truss, No. 2 or better.

C. Light gauge structural steel framing with the member against the plywood or OSB to be a min No. 22 MSG coated steel.

7. Insulation (Optional)(Not Shown) - Any compressible blanket insulation 3 in. max thickness before compression. Insulation to be sandwiched between substructure (Item 4) and joists (Item 6).

Refer to General Information, Roof Deck Construction, (Roofing Materials and Systems Directory) for Items Not Evaluated.

*Bearing the UL Classification Marking