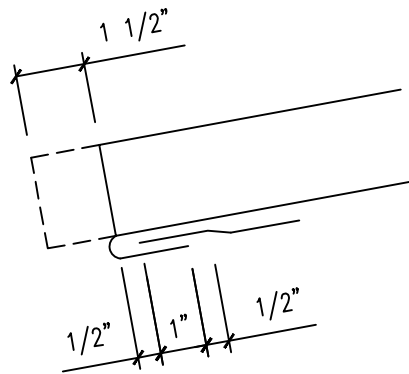
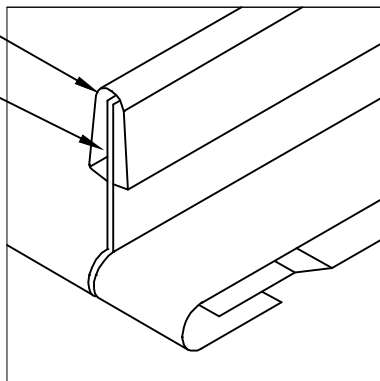


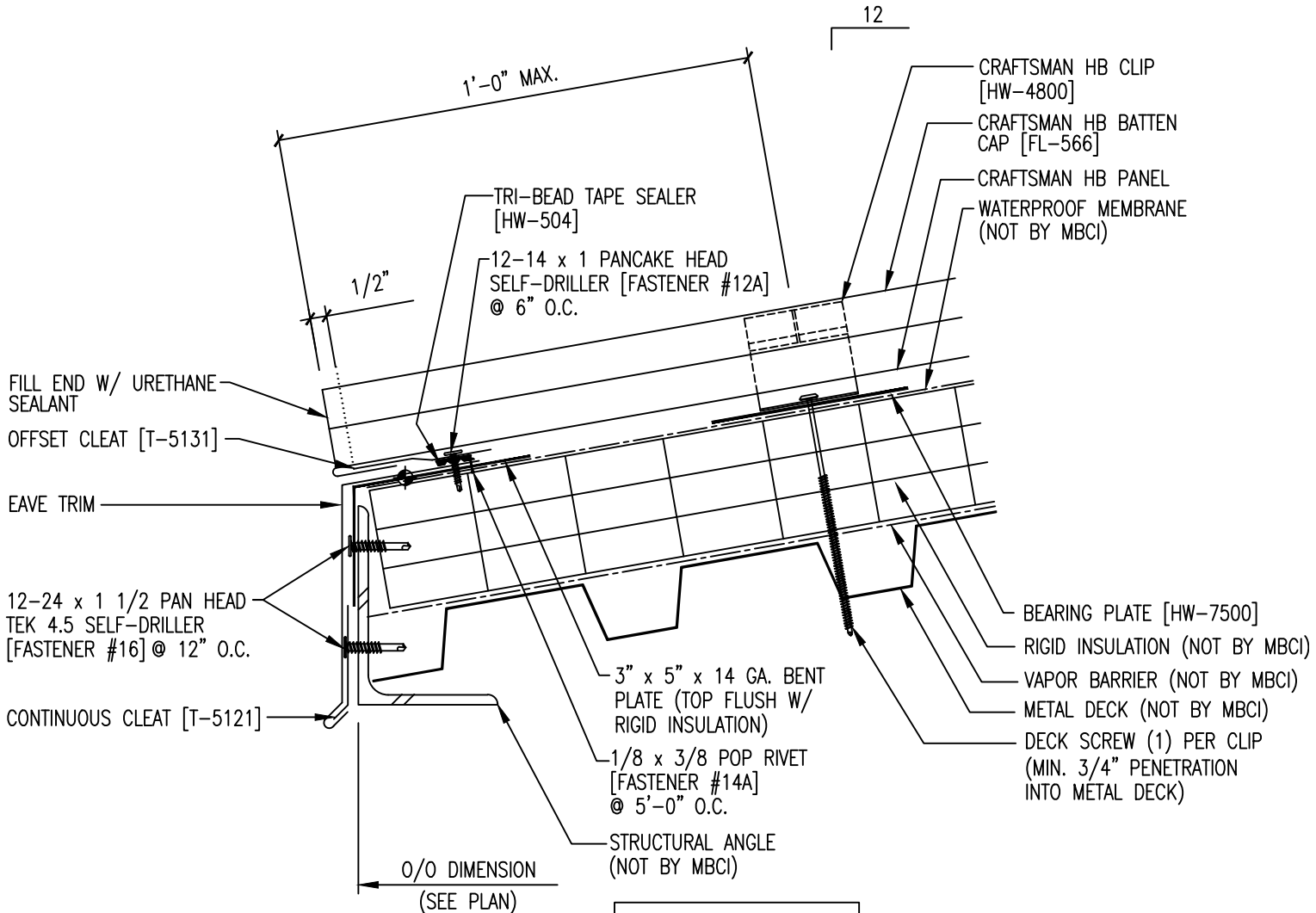
CRAFTSMAN HB BATTEN  
CAP [FL-566]

FILL END W/ URETHANE  
SEALANT



FIELD NOTCH PANEL  
LEGS AND BEND PAN  
TO FORM OPEN HEM

### PANEL ENGAGEMENT DETAIL



NOTE:  
REFERENCE TYPICAL TRIM  
LAP SECTIONS