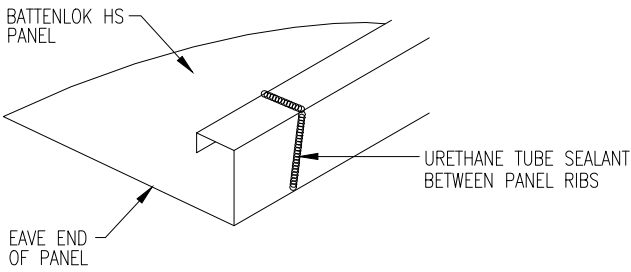


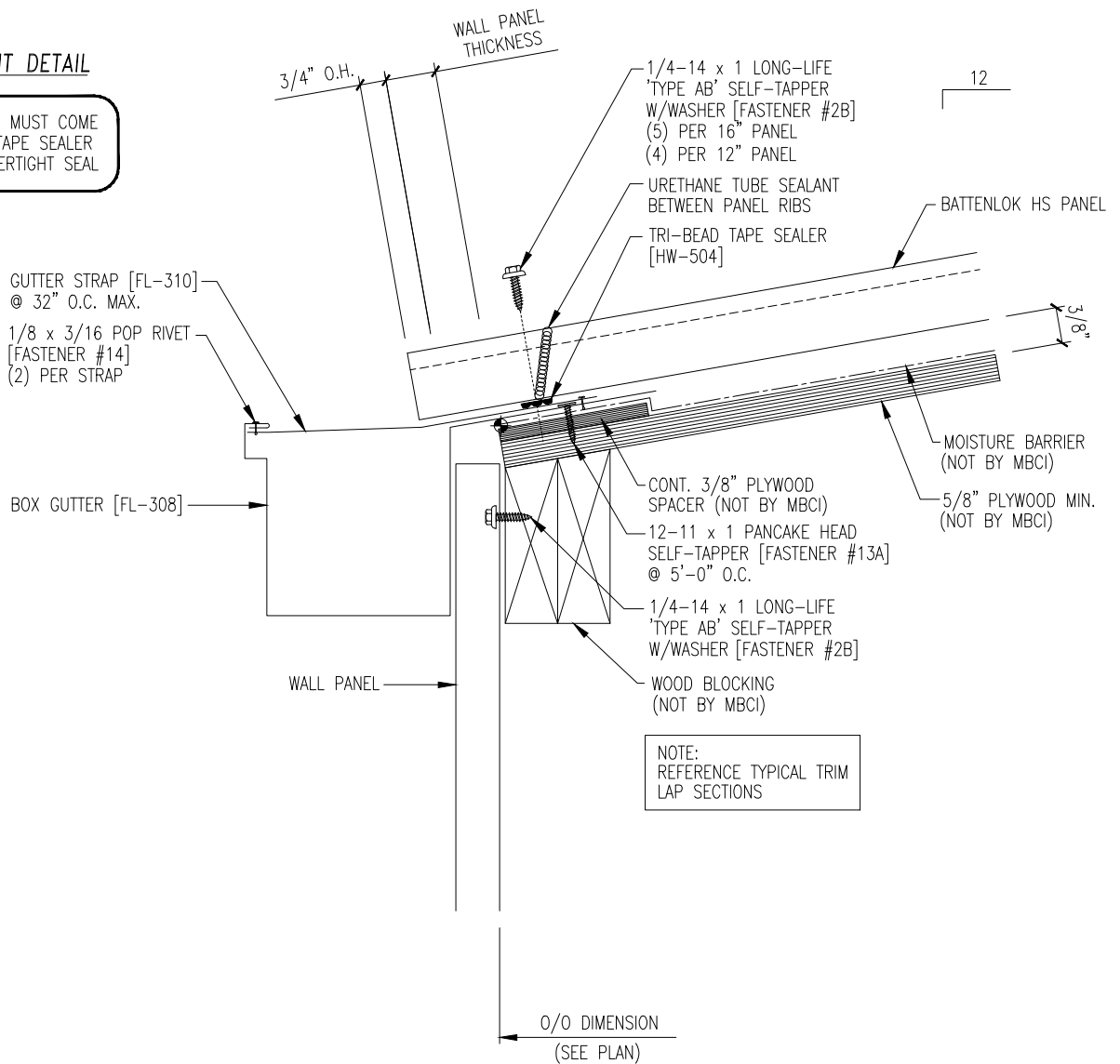
FASTENER SPACING @ EAVE

1/4-14 x 1 LONG-LIFE
"TYPE AB" SELF-TAPPER
W/WASHER [FASTENER #2B]



EAVE SEALANT DETAIL

URETHANE SEALANT MUST COME
IN CONTACT WITH TAPE SEALER
TO FORM A WEATHERTIGHT SEAL



NOTE:
REFERENCE TYPICAL TRIM
LAP SECTIONS