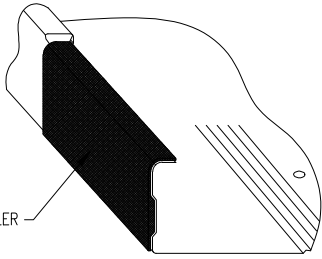
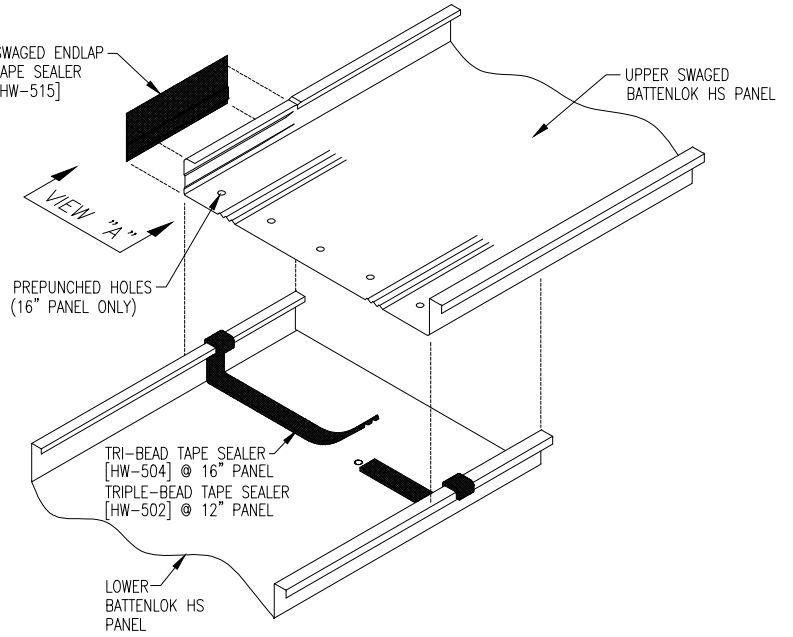


SWAGED ENDLAP TAPE SEALER
[HW-515]



VIEW "A"

SWAGED ENDLAP TAPE SEALER
[HW-515]



1/4-14 x 1 LONG-LIFE
'TYPE AB' SELF-TAPPER
W/WASHER [FASTENER #2B]
(5) PER 16" PANEL
(4) PER 12" PANEL

TRI-BEAD TAPE SEALER
[HW-504] @ 16" PANEL
TRIPLE-BEAD TAPE SEALER
[HW-502] @ 12" PANEL

UTILITY PANEL CLIP
[HW-218]

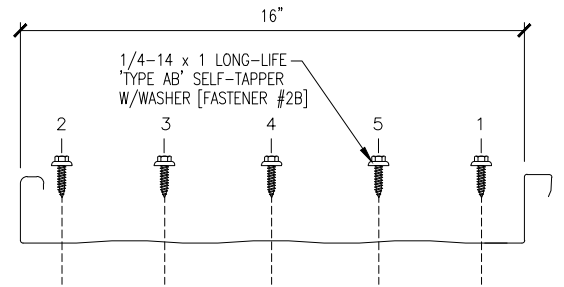
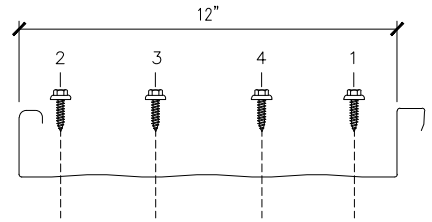
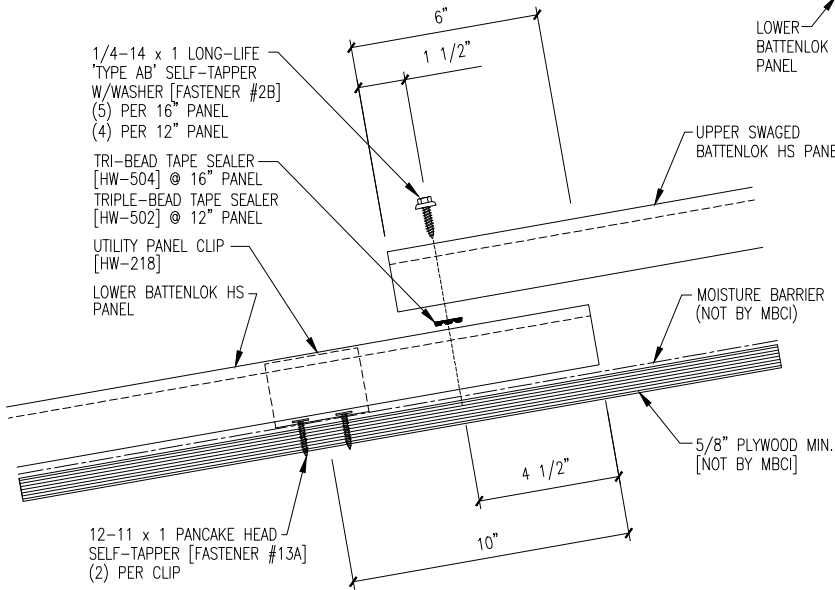
LOWER BATTENLOK HS
PANEL

UPPER SWAGED
BATTENLOK HS PANEL

MOISTURE BARRIER
(NOT BY MBCI)

5/8" PLYWOOD MIN.
[NOT BY MBCI]

12-11 x 1 PANCAKE HEAD
SELF-TAPPER [FASTENER #13A]
(2) PER CLIP



FASTENER INSTALLATION SEQUENCE