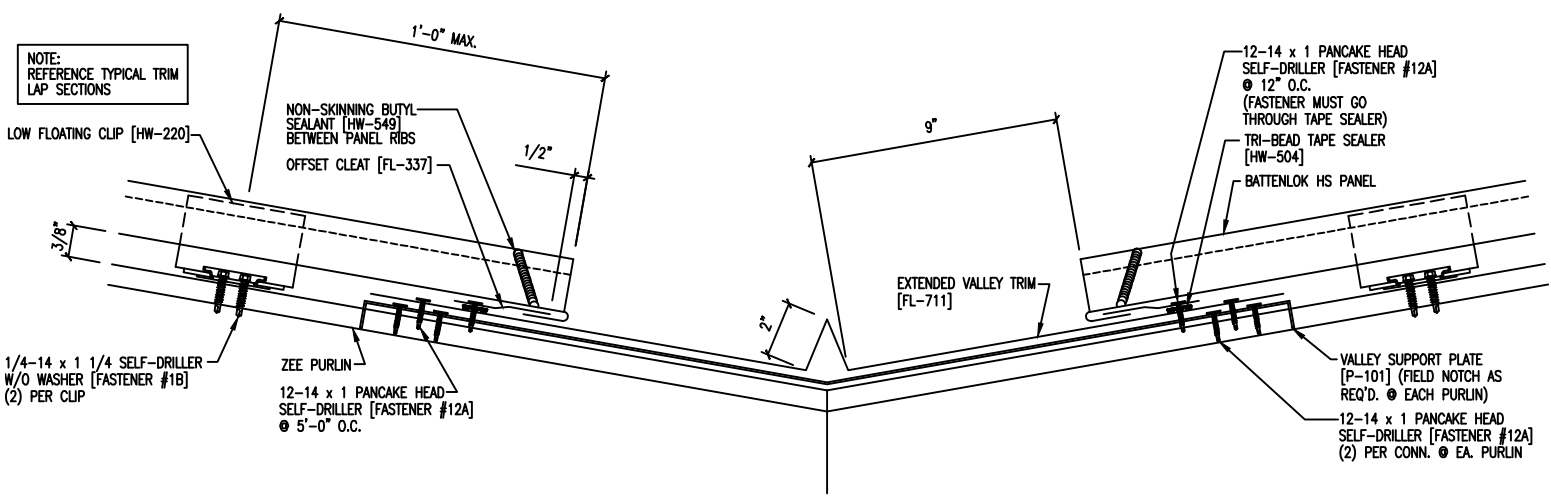


BUTYL SEALANT MUST COME IN CONTACT WITH THE OFFSET CLEAT TO FORM A WEATHERTIGHT SEAL

NOTE: REFERENCE TYPICAL TRIM LAP SECTIONS



NOTE:  
DO NOT USE THIS DETAIL ON  
ROOF SLOPES LESS THAN 3:12  
OR IN AREAS W/ SNOW LOADS  
10 PSF OR GREATER