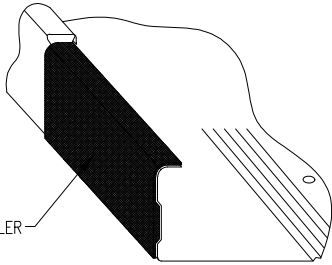
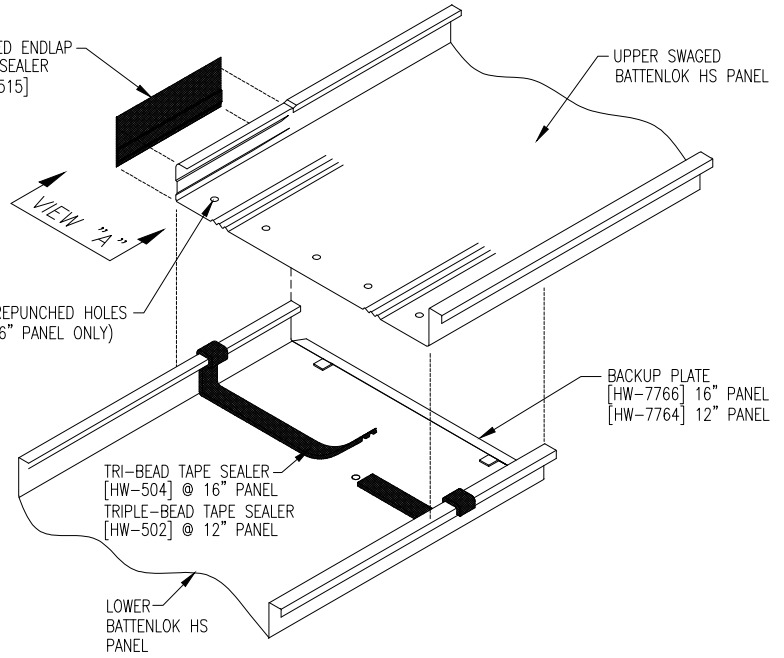


SWAGED ENDLAP TAPE SEALER
[HW-515]



VIEW "A"

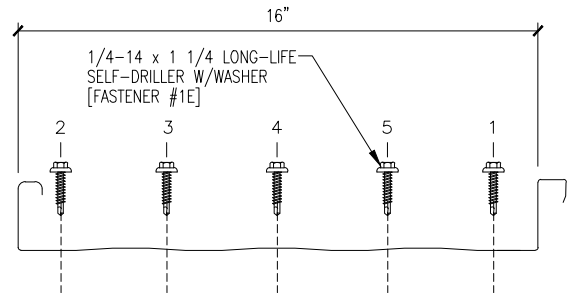
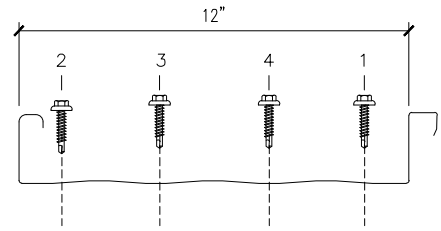
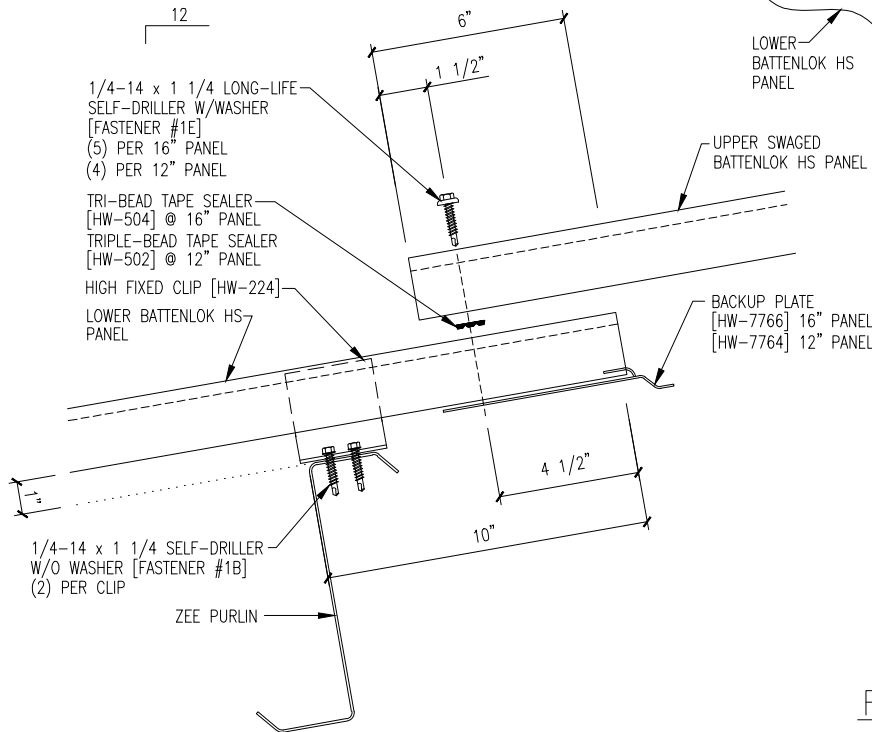
SWAGED ENDLAP TAPE SEALER
[HW-515]



1/4-14 x 1 1/4 LONG-LIFE SELF-DRILLER W/WASHER [FASTENER #1E]
(5) PER 16" PANEL
(4) PER 12" PANEL

TRI-BEAD TAPE SEALER [HW-504] @ 16" PANEL
TRIPLE-BEAD TAPE SEALER [HW-502] @ 12" PANEL

HIGH FIXED CLIP [HW-224]
LOWER BATTENLOK HS PANEL



FASTENER INSTALLATION SEQUENCE