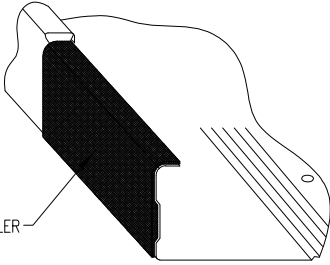


SWAGED ENDLAP TAPE SEALER
[HW-515]



VIEW "A"

SWAGED ENDLAP TAPE SEALER
[HW-515]

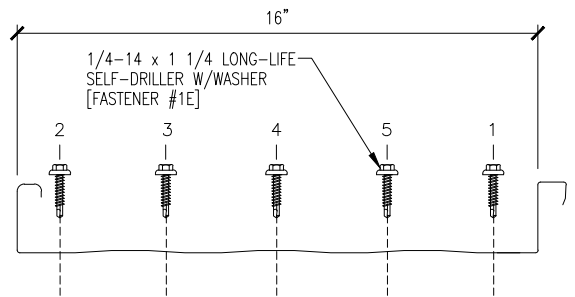
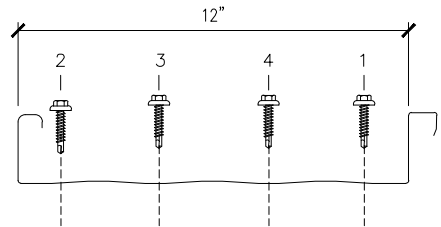
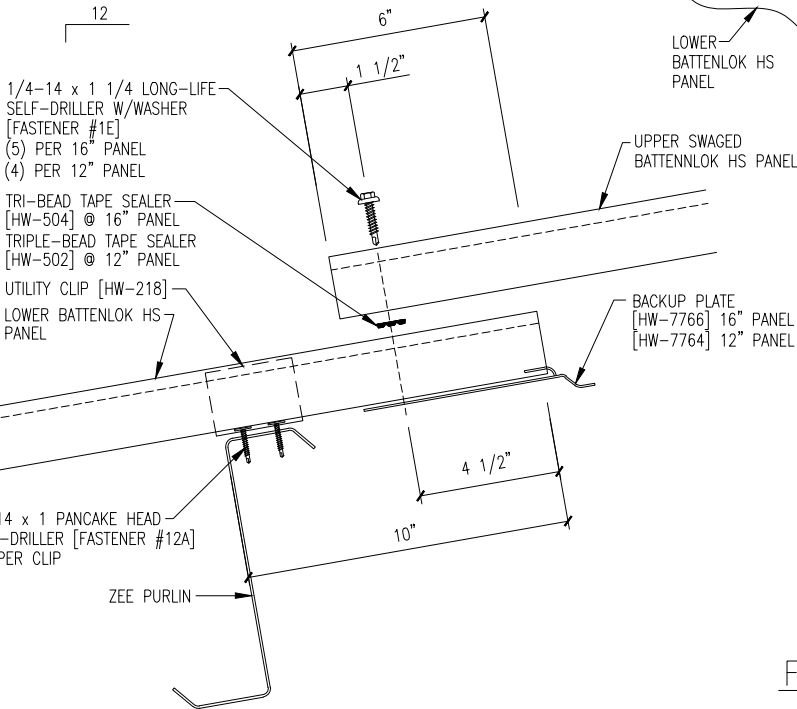
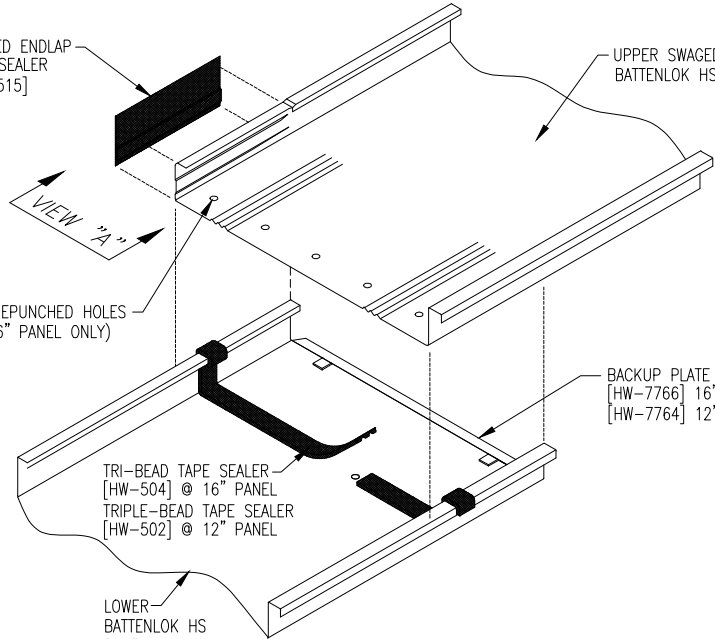
UPPER SWAGED BATTENLOK HS PANEL

PREPUNCHED HOLES
(16" PANEL ONLY)

TRI-BEAD TAPE SEALER
[HW-504] @ 16" PANEL
TRIPLE-BEAD TAPE SEALER
[HW-502] @ 12" PANEL

LOWER BATTENLOK HS PANEL

BACKUP PLATE
[HW-7766] 16" PANEL
[HW-7764] 12" PANEL



FASTENER INSTALLATION SEQUENCE