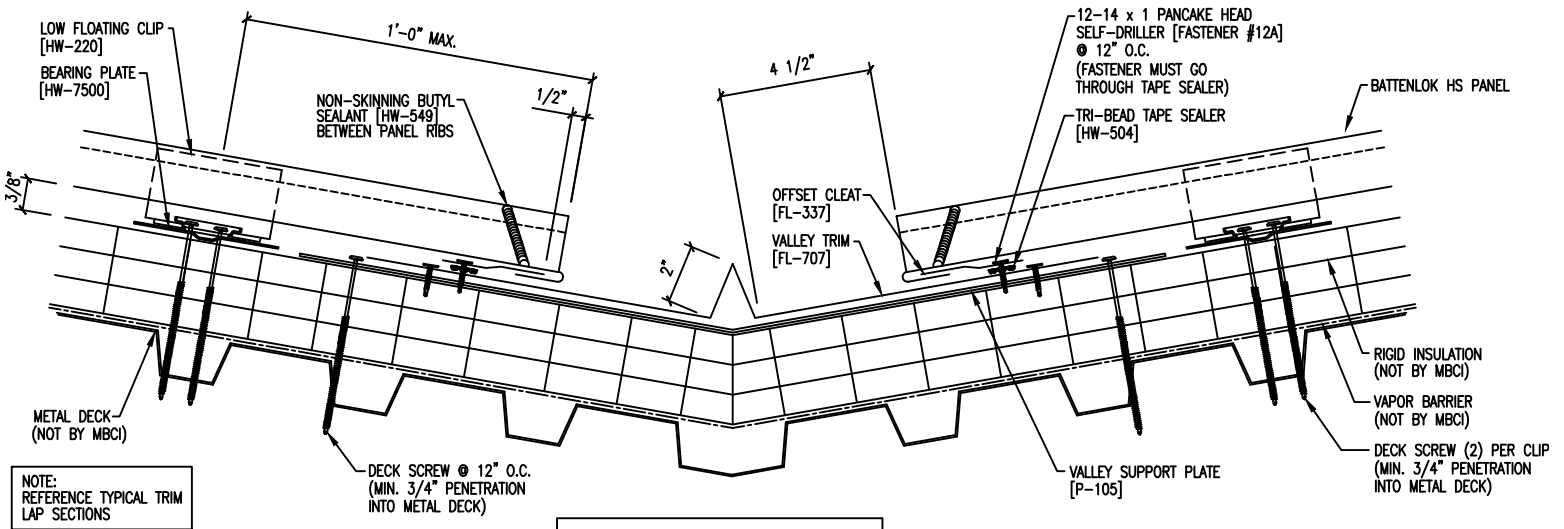


BUTYL SEALANT MUST COME IN
CONTACT WITH THE OFFSET CLEAT
TO FORM A WEATHERTIGHT SEAL



NOTE:
DO NOT USE THIS DETAIL ON
ROOF SLOPES LESS THAN 3:12
OR IN AREAS W/ SNOW LOADS
10 PSF OR GREATER

NOTE:
REFERENCE TYPICAL TRIM
LAP SECTIONS