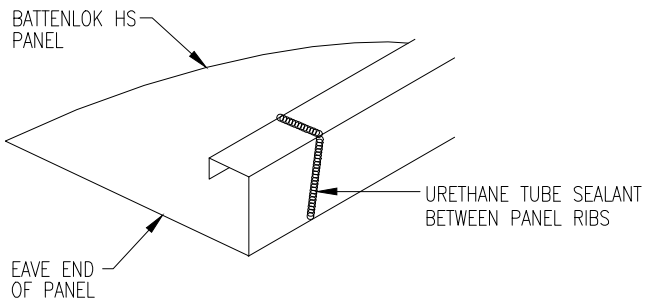


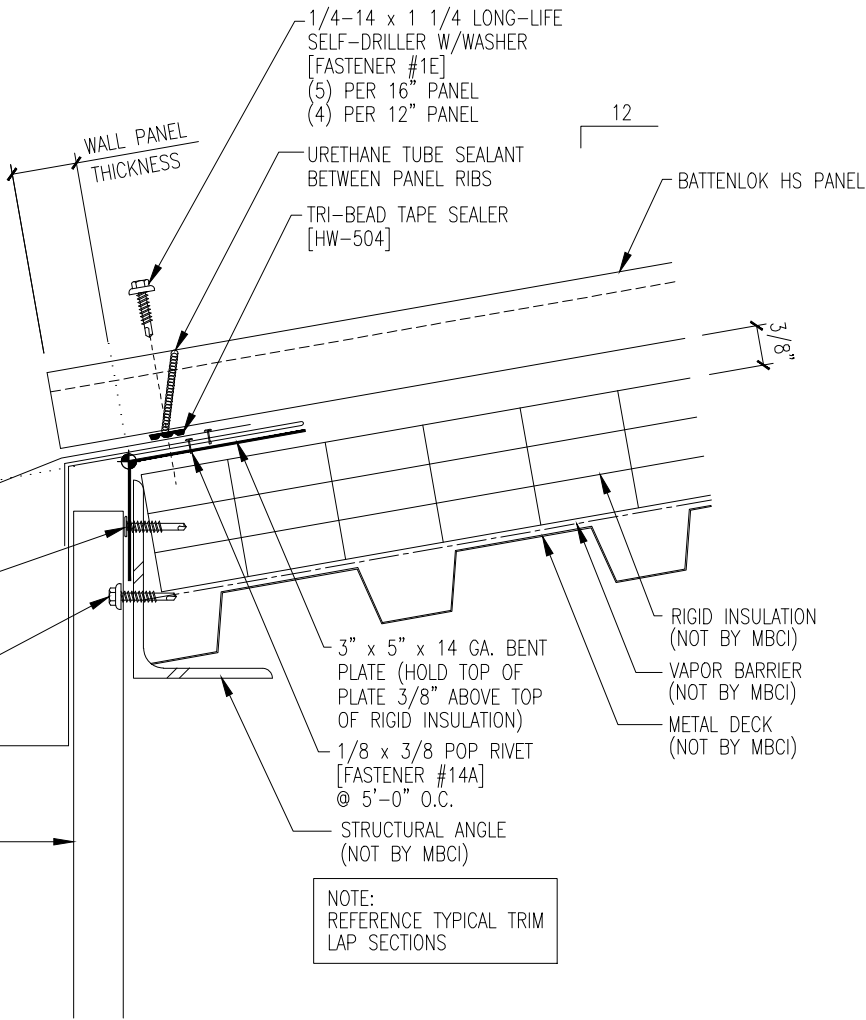
FASTENER SPACING @ EAVE

1/4-14 x 1 1/4 LONG-LIFE SELF-DRILLER W/WASHER [FASTENER #1E]



EAVE SEALANT DETAIL

URETHANE SEALANT MUST COME IN CONTACT WITH TAPE SEALER TO FORM A WEATHERTIGHT SEAL



GUTTER STRAP [FL-310] @ 32" O.C. MAX.
1/8 x 3/16 POP RIVET [FASTENER #14] (2) PER STRAP

SNOW GUTTER
12-24 x 1 1/2 PAN HEAD TEK 4.5 SELF-DRILLER [FASTENER #16] @ 12" O.C.
12-24 x 1 1/4 LONG-LIFE TEK 4.5 W/WASHER [FASTENER #78]

1/4-14 x 1 1/4 LONG-LIFE SELF-DRILLER W/WASHER [FASTENER #1E] (5) PER 16" PANEL (4) PER 12" PANEL

URETHANE TUBE SEALANT BETWEEN PANEL RIBS
TRI-BEAD TAPE SEALER [HW-504]

3" x 5" x 14 GA. BENT PLATE (HOLD TOP OF PLATE 3/8" ABOVE TOP OF RIGID INSULATION)
1/8 x 3/8 POP RIVET [FASTENER #14A] @ 5'-0" O.C.

RIGID INSULATION (NOT BY MBCI)
VAPOR BARRIER (NOT BY MBCI)
METAL DECK (NOT BY MBCI)

NOTE: REFERENCE TYPICAL TRIM LAP SECTIONS

O/O DIMENSION (SEE PLAN)