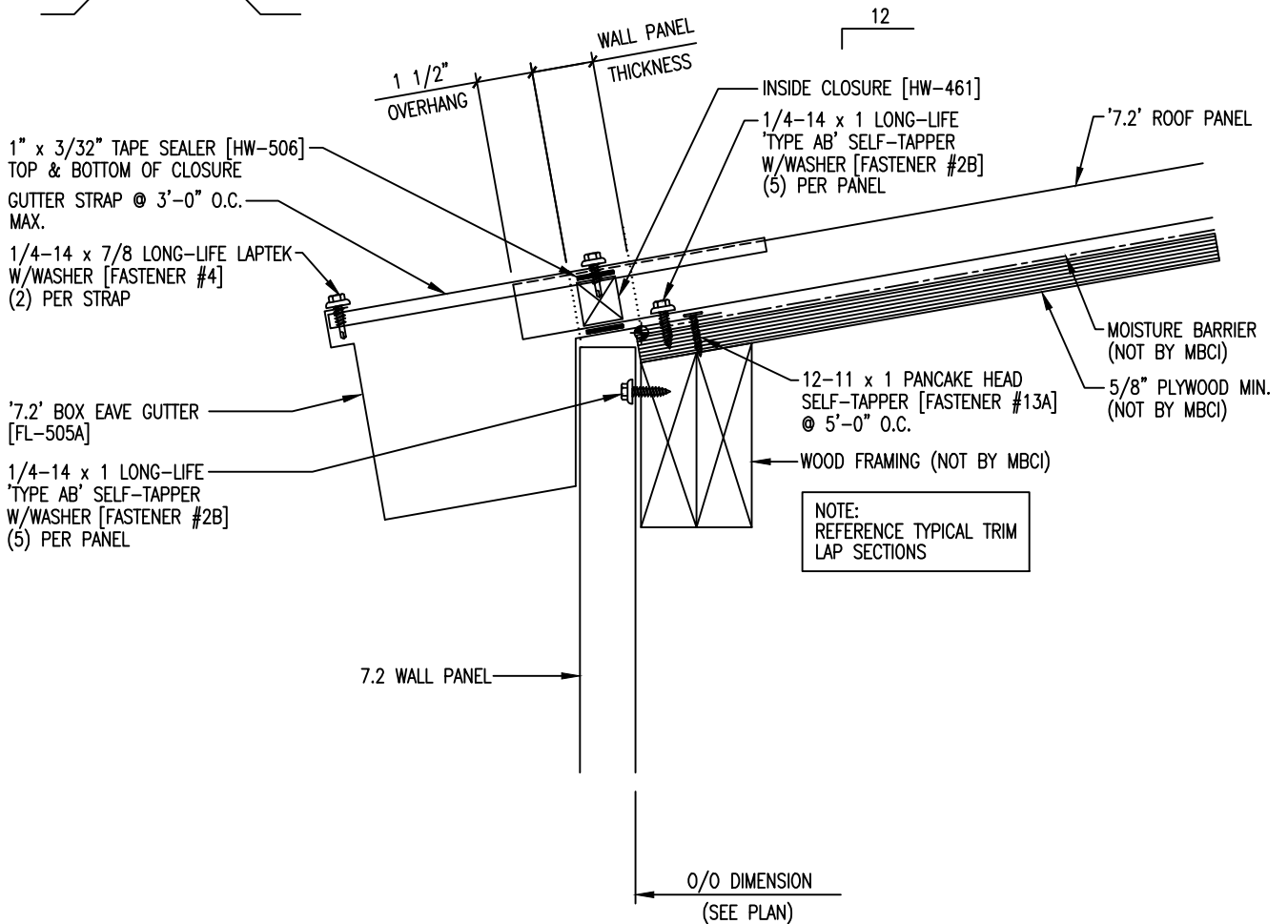
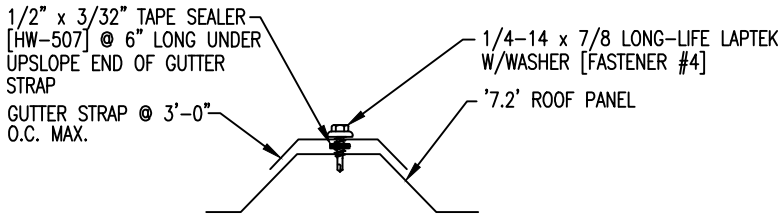


**EAVE SEALANT DETAIL**



NOTE:  
REFERENCE TYPICAL TRIM  
LAP SECTIONS