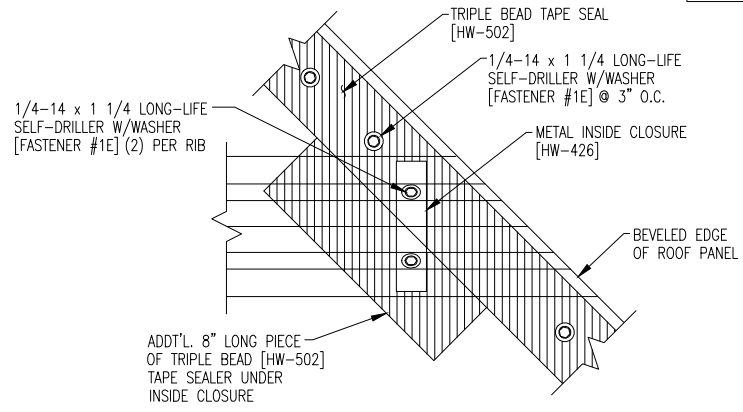


NOTE: REFERENCE TYPICAL TRIM LAP SECTIONS



DETAIL "A"