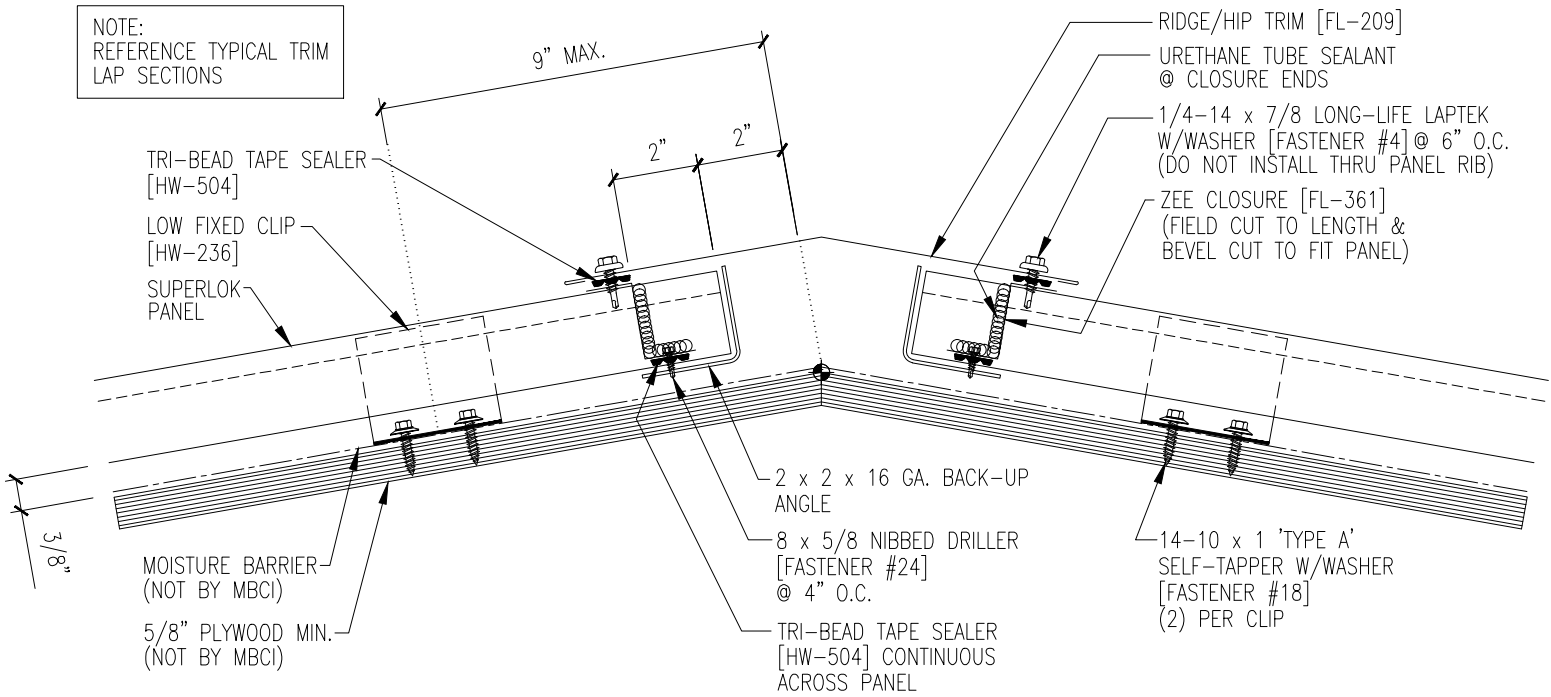


NOTE:
REFERENCE TYPICAL TRIM
LAP SECTIONS



TRI-BEAD TAPE SEALER
[HW-504]

LOW FIXED CLIP
[HW-236]

SUPERLOK
PANEL

MOISTURE BARRIER
(NOT BY MBCI)

5/8" PLYWOOD MIN.
(NOT BY MBCI)

2 x 2 x 16 GA. BACK-UP
ANGLE

8 x 5/8 NIBBED DRILLER
[FASTENER #24]
@ 4" O.C.

TRI-BEAD TAPE SEALER
[HW-504] CONTINUOUS
ACROSS PANEL

RIDGE/HIP TRIM [FL-209]

URETHANE TUBE SEALANT
 @ CLOSURE ENDS

1/4-14 x 7/8 LONG-LIFE LAPTEK
 W/WASHER [FASTENER #4] @ 6" O.C.
 (DO NOT INSTALL THRU PANEL RIB)

ZEE CLOSURE [FL-361]
 (FIELD CUT TO LENGTH &
 BEVEL CUT TO FIT PANEL)

14-10 x 1 'TYPE A'
 SELF-TAPPER W/WASHER
 [FASTENER #18]
 (2) PER CLIP

3/8"

9" MAX.

2"

2"