

1/4-14 x 7/8 LONG-LIFE LAPTEK W/WASHER [FASTENER #4] @ 6" O.C. (DO NOT INSTALL THRU PANEL RIB)

OUTSIDE CLOSURE [HW-440] @ 16" PANEL [HW-446] @ 12" PANEL

SUPERLOK PANEL

URETHANE TUBE SEALANT @ CLOSURE ENDS/PANEL RIB & LAPPING CLOSURE TABS TO SEAL ALL VOIDS

1/4-14 x 1 1/4 LONG-LIFE SELF-DRILLER W/WASHER [FASTENER #1E] (1) PER RIB

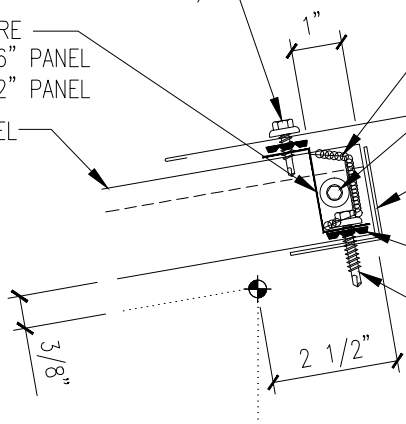
2 x 2 x 16 GA. BACK-UP ANGLE

SCULPTURED HIGH SIDE EAVE TRIM [FL-265]

TRI-BEAD TAPE SEALER [HW-504] TOP & BOTTOM OF CLOSURE

1/4-14 x 1 1/4 LONG-LIFE SELF-DRILLER W/WASHER [FASTENER #1E]

(4) PER 16" PANEL (3) PER 12" PANEL



ALTERNATE DETAIL

1/4-14 x 7/8 LONG-LIFE LAPTEK W/WASHER [FASTENER #4] @ 6" O.C. (DO NOT INSTALL THRU PANEL RIB)

TRI-BEAD TAPE SEALER [HW-504] OUTSIDE CLOSURE [HW-440] @ 16" PANEL [HW-446] @ 12" PANEL

LOW FLOATING CLIP [HW-230]

SUPERLOK PANEL

URETHANE TUBE SEALANT @ CLOSURE ENDS/PANEL RIB & LAPPING CLOSURE TABS TO SEAL ALL VOIDS

1/4-14 x 1 1/4 LONG-LIFE SELF-DRILLER W/WASHER [FASTENER #1E] (1) PER RIB

TRI-BEAD TAPE SEALER [HW-504]

BACKUP PLATE [HW-7766] @ 16" PANEL [HW-7764] @ 12" PANEL

1/4-14 x 1 1/4 LONG-LIFE SELF-DRILLER W/WASHER [FASTENER #1E] (4) PER 16" PANEL (3) PER 12" PANEL

SCULPTURED HIGH EAVE TRIM [FL-265]

1/4-14 x 1 LONG-LIFE 'TYPE AB' SELF-TAPPER W/WASHER [FASTENER #2B]

1/4-14 x 7/8 LONG-LIFE LAPTEK W/WASHER [FASTENER #4] @ 12" O.C.

OUTSIDE CLOSURE

WALL PANEL

12

3/8"

MOISTURE BARRIER (NOT BY MBCI)

5/8" PLYWOOD MIN. (NOT BY MBCI)

14-10 x 1 'TYPE A' SELF-TAPPER W/WASHER [FASTENER #18] (2) PER CLIP

NOTE: REFERENCE TYPICAL TRIM LAP SECTIONS

O/O DIMENSION (SEE PLAN)