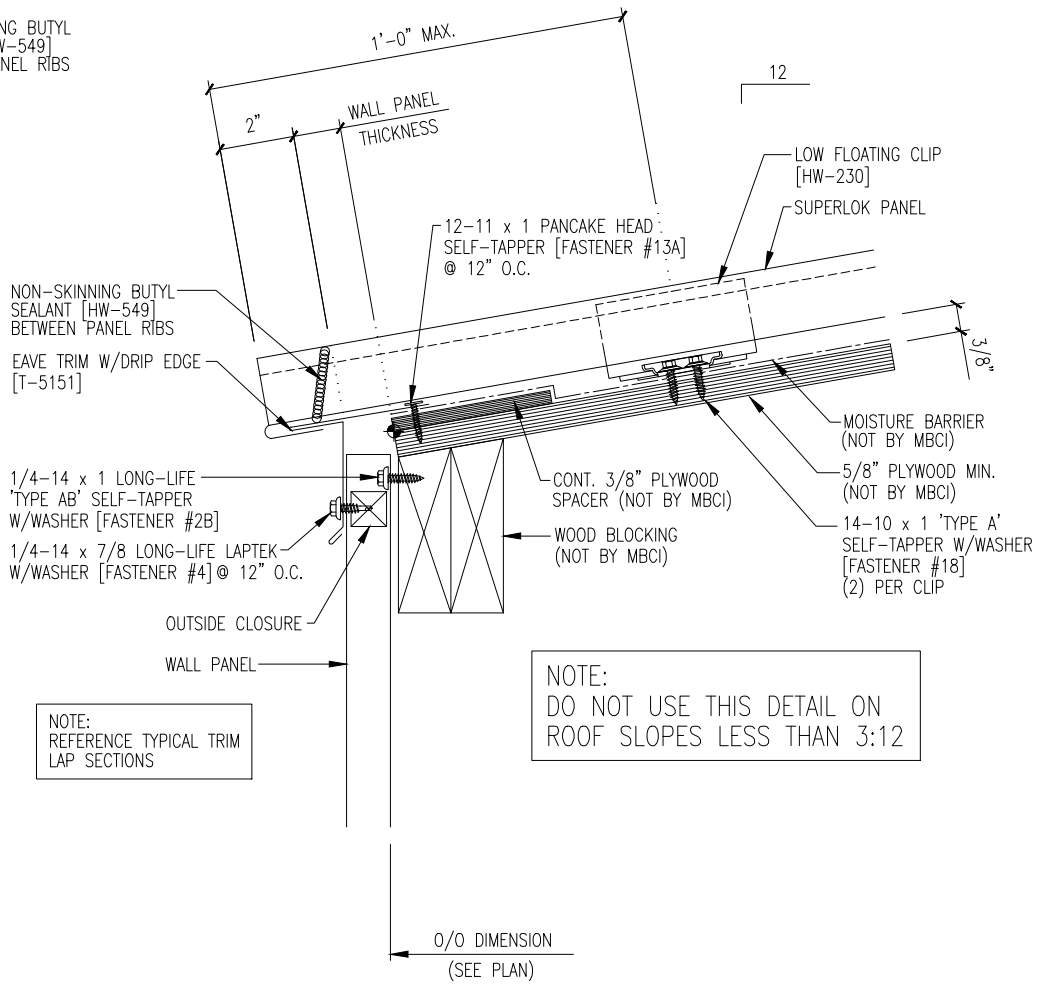
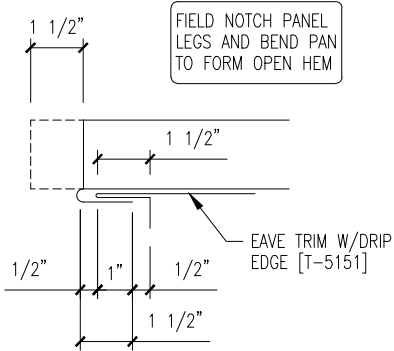


EAVE SEALANT DETAIL

BUTYL SEALANT MUST COME IN CONTACT WITH THE DRIP EDGE TO FORM A WEATHERTIGHT SEAL



NOTE:
REFERENCE TYPICAL TRIM
LAP SECTIONS

NOTE:
DO NOT USE THIS DETAIL ON
ROOF SLOPES LESS THAN 3:12