

1/4-14 x 7/8 LONG-LIFE LAPTEK  
W/WASHER [FASTENER #4] @ 6" O.C.  
(DO NOT INSTALL THRU PANEL RIB)

OUTSIDE CLOSURE  
[HW-440] @ 16" PANEL  
[HW-446] @ 12" PANEL

SUPERLOK PANEL

URETHANE TUBE SEALANT  
@ CLOSURE ENDS/PANEL RIB  
& LAPPING CLOSURE TABS TO  
SEAL ALL VOIDS

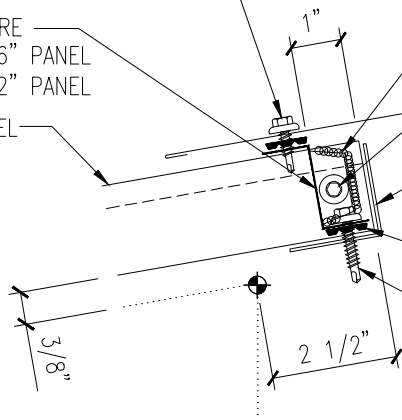
1/4-14 x 1 1/4 LONG-LIFE  
SELF-DRILLER W/WASHER  
[FASTENER #1E] (1) PER RIB

2 x 2 x 16 GA. BACK-UP  
ANGLE

SCULPTURED HIGH SIDE EAVE  
TRIM [FL-265]

TRI-BEAD TAPE SEALER [HW-504]  
TOP & BOTTOM OF CLOSURE

1/4-14 x 1 1/4 LONG-LIFE  
SELF-DRILLER W/WASHER  
[FASTENER #1E]  
(4) PER 16" PANEL  
(3) PER 12" PANEL



ALTERNATE DETAIL

1/4-14 x 7/8 LONG-LIFE LAPTEK  
W/WASHER [FASTENER #4] @ 6" O.C.  
(DO NOT INSTALL THRU PANEL RIB)

TRI-BEAD TAPE SEALER [HW-504]

SCULPTURED HIGH SIDE EAVE  
TRIM [FL-265]

LOW FLOATING CLIP [HW-230]

BEARING PLATE [HW-7500]

SUPERLOK PANEL

URETHANE TUBE SEALANT  
@ CLOSURE ENDS/PANEL RIB  
& LAPPING CLOSURE TABS TO  
SEAL ALL VOIDS

1/4-14 x 1 1/4 LONG-LIFE  
SELF-DRILLER W/WASHER  
[FASTENER #1E] (1) PER RIB

OUTSIDE CLOSURE  
[HW-440] @ 16" PANEL  
[HW-446] @ 12" PANEL

BACKUP PLATE  
[HW-7766] @ 16" PANEL  
[HW-7764] @ 12" PANEL

TRI-BEAD TAPE SEALER  
[HW-504]

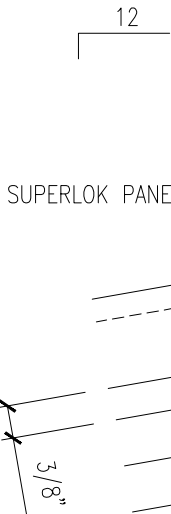
1/4-14 x 1 1/4 LONG-LIFE  
SELF-DRILLER W/WASHER  
[FASTENER #1E]  
(4) PER 16" PANEL  
(3) PER 12" PANEL

12-24 x 1 1/4 LONG-LIFE TEK 4.5  
W/WASHER [FASTENER #78]

1/4-14 x 7/8 LONG-LIFE LAPTEK  
W/WASHER [FASTENER #4] @ 12" O.C.

OUTSIDE CLOSURE

WALL PANEL



RIGID INSULATION  
(NOT BY MBCI)

VAPOR BARRIER  
(NOT BY MBCI)

METAL DECK  
(NOT BY MBCI)

DECK SCREW (2) PER CLIP  
(MIN. 3/4" PENETRATION  
INTO METAL DECK)

STRUCTURAL ANGLE  
(NOT BY MBCI)

NOTE:  
REFERENCE TYPICAL TRIM  
LAP SECTIONS

O/O DIMENSION  
(SEE PLAN)