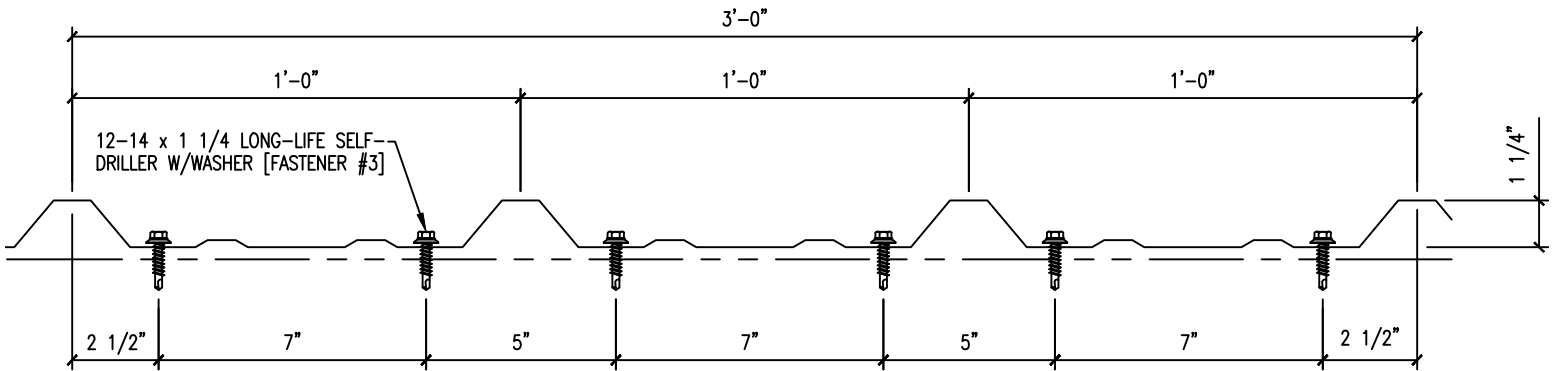


PBR FASTENER SPACING @ INTERMEDIATE SUPPORTS



PBR FASTENER SPACING @ PANEL ENDS