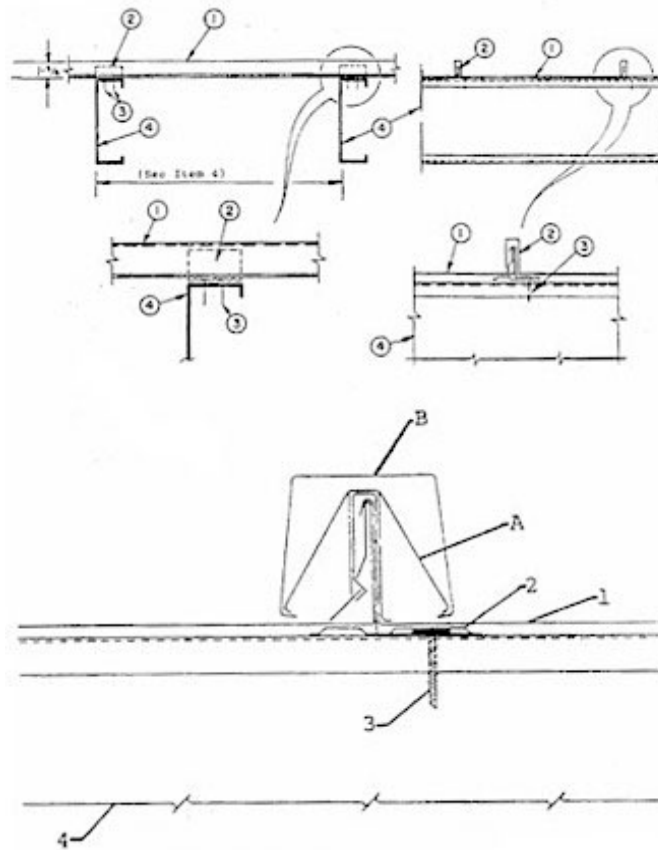


Construction No. 255

Uplift - Class 90 and 60 (See Item No. 4)

Fire Not Investigated



1. Metal Roof Deck Panels* No. 24 MSG min thickness coated steel. Panel width 18 in. max., 10 in. min. Rib height 1-3/4 in. at female side. Panels continuous over two or more spans. A bead of sealant may be used at panel side joints.

- A&S BUILDING SYSTEMS, INC.-"LokSeam"
- AEP-SPAN - "18 in. Snap Seam"
- ARCHITECTURAL BUILDING COMPONENTS INC - "Permaseam Panel" .
- ARS INDUSTRIES INC - "US 175LS"
- CENTRIA - "SDP 175-12, -16, -18" .
- COMMERCIAL SIDING & MAINTENANCE CO - "US 175 LS" .
- CONSOLIDATED METALS OF FLORIDA, DIV OF - "CSL-675"

- CUSTOM PANEL INDUSTRIES LLC - "Design-Lok" .
- ENGINEERED METAL SYSTEMS INC - "Structural Standing Seam"
- HAWAII METAL ROOFING INC - "Tropa-Lok" .
- KOVACH INC - "K-Lok Structural Panel" .
- MCELROY METAL MILL INC - "Medallion-Lok" .
- MBCI-"LokSeam"
- MESCO METAL BUILDINGS-"LokSeam"
- METAL-FAB INC - "MetFab Snap-On 675" .
- METAL SALES MFG CORP - "Vertical Seam" .
- NCI BUILDING SYSTEMS LP-"LokSeam"
- NEW TECH MACHINERY CORP - "Snap Panel 675"
- PETERSEN ALUMINUM CORP - "Snap-Clad" .
- ROYAL ALUMINUM INC - "Royal RL-16" .
- STEELOX SYSTEMS INC - "LS" .
- TOMEN BUILDING COMPONENTS INC - "SS-200-12" , "SS-200-16" , "SS-200-18" .

2. Roof Deck Fasteners* (Panel Clips) - One piece assembly, 3-1/2 in. wide, 1-7/8 in. high. One panel clip located at each purlin intersection.

- ARCHITECTURAL BUILDING COMPONENTS INC - "Permaseam Clip"
- CENTRIA - "C175" .
- CUSTOM PANEL INDUSTRIES LLC - "Design-Lok Clip" .
- KOVACH INC - "K-Lok Structural Clip" .
- NCI BUILDING SYSTEMS LP-"LokSeam UL 90 Clip"
- METAL SALES MFG CORP - "Vertical Seam Clip" .
- MCELROY METAL MILL INC - "Medallion-Lok Clip" .
- PETERSEN ALUMINUM CORP - "Snap-Clad Clip" .
- STEELOX SYSTEMS INC - "LS Clip" .
- TOMEN BUILDING COMPONENTS INC - "Series 200 Clips" .
- U S METALS CORP - "Snap Lock Clip-675" .

3. Panel Fasteners (Screws) Fasteners used to attach panel clips (Item 2) to purlins to be No. 10-16 by 1 in. long plated pancake head No. 2 Phillips drive, No. 3 self-drilling point steel screws. Two screws per clip to be used inserted through 1/4 in. diam guide holes.

4. Purlins No. 16 MSG min thickness steel (50,000 psi min yield strength).

Spacing for Class 90 to be 48 in. OC: For Class 60 to be 60 in. OC

The following items may be used in conjunction with the "AEP SPAN" Metal Roof Deck Panels (Item 1). When used, the panel system is identified as "SNAP-SEAM (SBS)" .

A. Batten Clips* Slipped over ribs formed by roof deck panels. One piece assembly, 1-3/4 in. high, 1-3/4 in. max width, with four legs and two arms. Formed to engage ribs of AEP SPAN Panels and Batten Cap (Item 2B). Clips spaced 48 in. OC.

- AEP-SPAN - "SNAP-SEAM (SBS) Clip"

B. Batten Cap* Slipped over batten clip. Two inches high 1-1/2 in. wide at top with sides formed to engage batten clip. Snapped over batten clips.

- AEP-SPAN - "SNAP-SEAM (SBS) Batten"

The following items may be used in conjunction with the "K-Lok Structural Panel" (Item 1).

A. Batten Clips* Slipped over ribs formed by roof deck panels. One piece assembly formed to engage ribs of "K-Lok Structural Panels (Item 1) and Batten Cap (Item B). Spaced 48 in. OC.

- KOVACH INC - "K-Lok Structural Batten Clip" .

B. Batten Cap* Slipped over batten clip (Item A) and formed to snap and engage batten clip.

- KOVACH INC - "K-Lok Structural Batten" .

The following items may be used in conjunction with the "Design-Lok" panel (Item 1).

A. Batten Clips* Slipped over ribs formed by roof deck panels. One piece assembly formed to engage ribs of "Design-Lok" panels (Item 1) and "Design-Lok Batten Cap" (Item B) spaced 48 in. OC.

- CUSTOM PANEL INDUSTRIES LLC - "Design-Lok Batten Clip" .

B. Batten Cap* Slipped over batten clip (Item A), formed to snap over and engage batten clip.

- CUSTOM PANEL INDUSTRIES LLC - "Design-Lok Batten Cap" .

The following items may be used in conjunction with the "SDP 175-12, -16, -18" panels (Item 1).

A. Batten Clips* Slipped over ribs formed by roof deck panels. One piece assembly formed to engage ribs of "SDP 175-12, -16, -18" panels (Item 1) and "SDP175B" battens (Item B). Spaced 48 in. OC.

- CENTRIA - "175B" .

B. Batten Cap* Slipped over batten clip (Item A) and formed to snap and engage batten clip.

- CENTRIA - "SDP 175B" .

Refer to General Information Roof Deck Constructions for items not evaluated.

*Bearing the UL Classification Marking