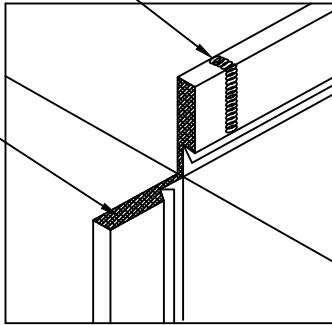


APPLY BEAD OF URETHANE SEALANT OVER RIB BEFORE APPLYING RIB COVER

FILL BOTH ENDS W/ URETHANE SEALANT



FIELD CUT PANEL RIBS AND BEND PAN OVER AT TRANSITION.

12

LOKSEAM PANEL

UL90 CLIP [HW-6400]

1/8 x 3/8 POP RIVET [FASTENER #14A] (3) PER RIB COVER

LOKSEAM RIB COVER [FL-565] (FIELD NOTCH AS REQ'D. & BEND TO PROPER ANGLE)

12-14 x 1 PANCAKE HEAD SELF-DRILLER [FASTENER #12A] (2) PER CLIP

UL90 CLIP [HW-6400]

12-14 x 1 PANCAKE HEAD SELF-DRILLER [FASTENER #12A] (2) PER CLIP

LOKSEAM PANEL

EAVE STRUT

O/O DIMENSION (SEE PLAN)

