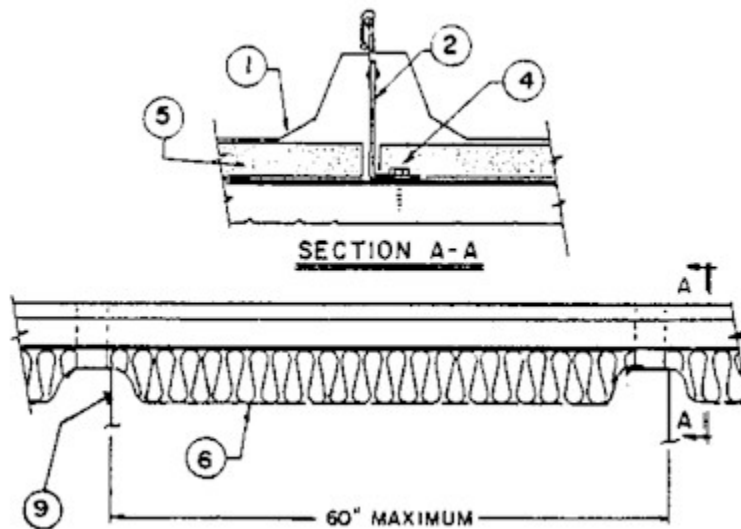




Construction No. 538

Uplift - Class 90

Fire Not Investigated



1. Metal Roof Deck Panels* - For Class 90 - No. 24 MSG coated steel, for Class 30 - No. 26 MSG min. Coated steel panels continuous over two or more spans. End laps to occur adjacent to (Item 7) or on top of (Item 7A) purlins with panels overlapped 3 inch max. Side laps to be tightened and crimped with a special motorized crimping machine. A line of sealant may be used at panel end and side laps.

- A&S BUILDING SYSTEMS, INC.-"Double-Lok"
- NCI BUILDING SYSTEMS LP - "Double-Lok"
- MBCI-"Double-Lok"
- MESCO METAL BUILDINGS-"Double-Lok"

2. Roof Deck Fasteners* - (Panel Clips) - Two piece floating clip with a No. 15 MSG coated steel base and a No. 22 MSG coated steel top. Clips spaced at 60 1/4 inches on center and over purlins.

- NCI BUILDING SYSTEMS LP - "High or Low Floating Clip"

3. Building Units* - (optional) - (not shown) - Translucent reinforced plastic panels. Nominal thickness 1/16 inch, formed to the same configuration as the metal roof deck panels, with metal reinforcement cut from a classified metal roof deck panel (Item No. 1). Metal reinforcement

attached to translucent reinforced plastic side segments with aluminum pop rivets. Panels continuous over two or more spans.

- NCI BUILDING SYSTEMS LP - "Double-Lok Light Transmitting Panel"

4. Fasteners (Screws) - Screws used to attach the panel clips to purlin to be two (2) 1/4-14 by 1-1/4 in. long, self-drilling, 5/16 in. hex-head, plated steel screws with a separate 5/8 in. OD neoprene washer. Screws used to attach the panel clips to joists to be two (2), 12-24 by 1-1/4 in long, 4.5 self-drilling, plated steel screws, without washers. Screws used at end lap are to be 1/4-14 by 1 in. long with 3/8 in. hex-washer head and separate 5/8 in. neoprene steel washer. Five (5) fasteners are to be used in the flat section of the end lap panel with the first fastener located 3 in. from either rib, and then spaced in a 3-6-6-3 in. pattern. An additional fastener is to be located at the second slant segment of the rib on both sides of the end lap panel, and one additional fastener located at the first slanted segment on both sides of one rib. Fasteners used with alternate 16 MSG min thick coated steel upper section to be No. 14 by 1 in. long self-tapping fastener. First fastener located 3/8 in. from first slanted segment in a 4-5-1/2-5-1/2-4 in. pattern.

5. Thermal Spacer - (optional) - Polystyrene, 1 inch max thickness, 3 inches wide, cut to fit between panel clips.

6. Insulation - (optional) - Any compressible blanket insulation, 6 inches max. thickness when located between thermal spacer (Item No. 5) and purlin (Item No. 9) before compression.

7. End-Lap Plate Assembly - (not shown) - Used at panel end laps; Consisting of a lower section, 5-5/8 inches wide, with a 1 inch vertical leg, formed to the general profile of the panel and having four 1 inch wide by 3/4 inch long tabs for sliding over the panel end. Upper section (optional) to be 1 1/2 inches wide 24 inches long and also formed to the general profile of the panel with one end formed to fit over the side rib. Five 5/16 inch diameter guide. Both parts to have ribs formed for reinforcement. Both parts fabricated from No. 16 MSG thick coated steel.

7A. End-Lap Assembly (Alternate) (Not Shown) As an alternate to Endlap Plate Assembly (Item 7), panels (Item 1) to overlap over purlin (Item 9). Six (6) fasteners are to be used in the flat section of the end lap panel with the first fastener located 3-1/4 in. from either rib and then spaced in a 3-1/2, 3-1/2, 3-1/2, 3-1/2 in. pattern. An additional fastener is to be located at the second slanted segment of the rib on both sides of the end lap panel.

8. Light Transmitting Panel Backing Plate - (optional) - (not shown) - When Light transmitting panel is used, backing plate is required. Minimum 18 MSG galv steel, 6 inches wide two vertical legs on both sides and formed to the configuration of the metal roof deck panel (Item No. 1). Located over purlin and offers support to the continuous segment building unit (Item No. 3).

9. Purlin - No. 16 MSG min. gauge steel (55,000 psi min. yield strength)

*Bearing the UL Classification Marking.