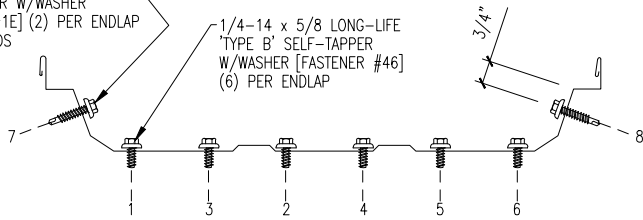


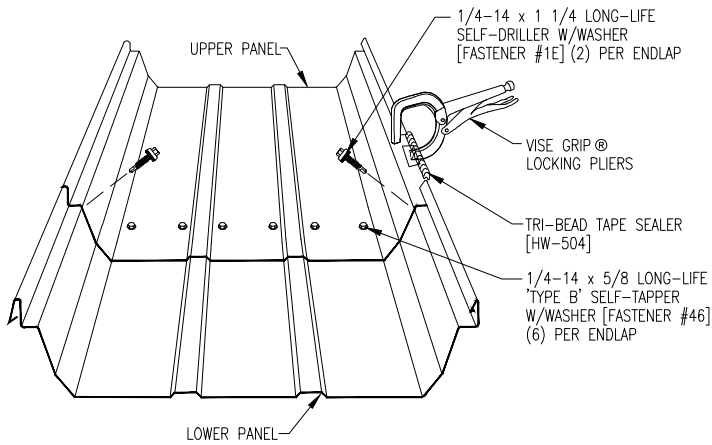
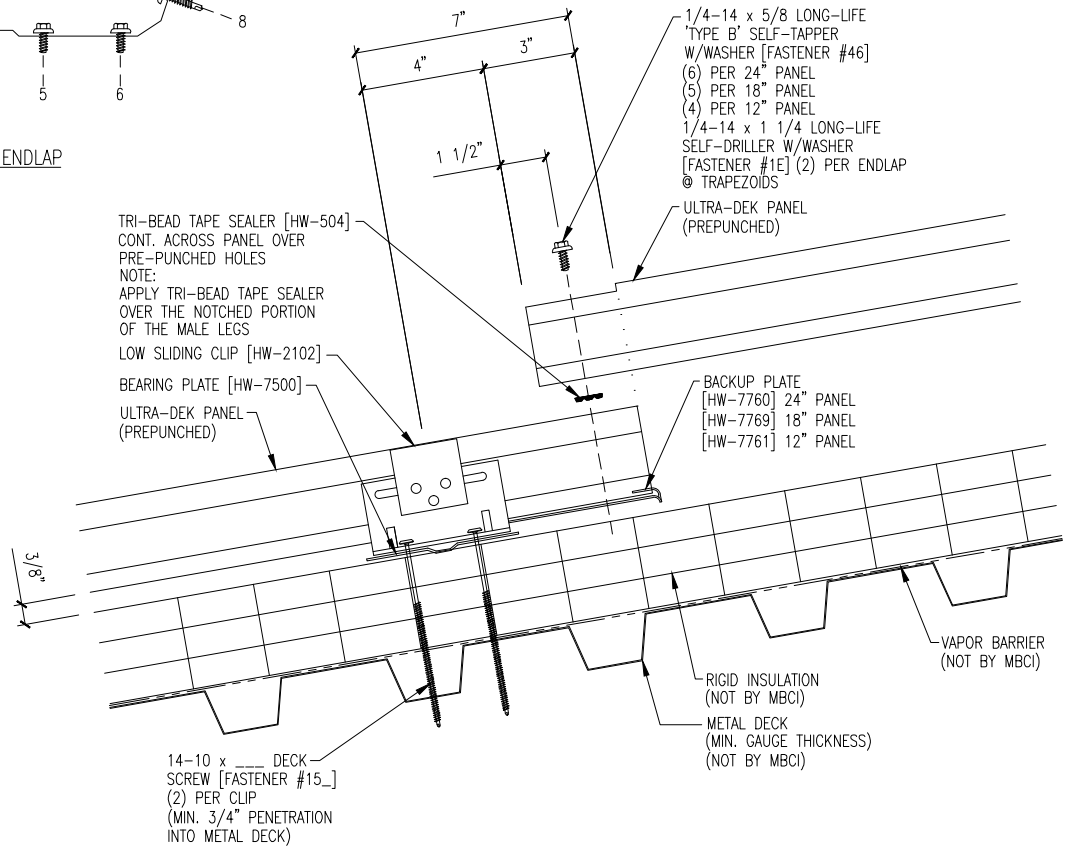
1/4-14 x 1 1/4 LONG-LIFE
SELF-DRILLER W/WASHER
[FASTENER #1E] (2) PER ENDLAP
@ TRAPEZOIDS

1/4-14 x 5/8 LONG-LIFE
"TYPE B" SELF-TAPPER
W/WASHER [FASTENER #46]
(6) PER ENDLAP

12



FASTENER SEQUENCE @ ENDLAP



PANEL INSTALLATION SEQUENCE