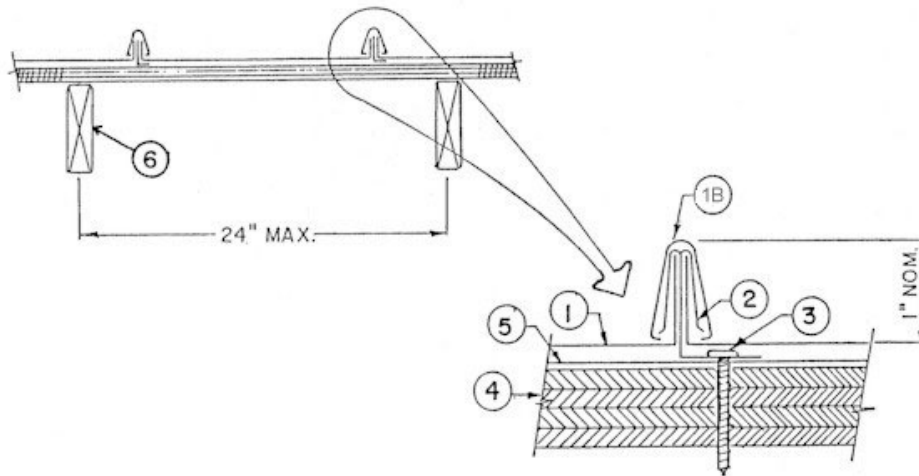


Construction No. 280

**Uplift - Class 90
Fire - Not Investigated**



1. Metal Roof Deck Panels* No. 24 MSG min coated steel. Max panel width 22-3/4 in. and rib height 3/4 in. Panels continuous over two or more spans. End laps to occur adjacent to supports with panels overlapped 4 in. A line of sealant may be used at panel ends and side laps.

- ARCHITECTURAL BUILDING COMPONENTS INC - "SL Low Panel" .
- CENTRIA - "ADP 100A" .
- INNOVATIVE METALS CO INC - "SS-145" or "SS-225" .
- GARLAND CO INC - "R-MER-SEAM 145" or "R-MER-SEAM 225" .
- MCELROY METAL MILL INC - "Medallion"
- MBCI - "Craftsman Series SB"
- NCI BUILDING SYSTEMS LP-"Craftsman Series SB"
- M-5 STEEL MFG INC - "M-5 3/4 in. Panel"

1A. Metal Roof Deck Panels* Panels (coated steel only) may be physically curved at a radius of 20 ft or greater or mechanically curved between 4 ft and a nominal 19 ft.

- MBCI - "Craftsman Series SB"
- NCI BUILDING SYSTEMS LP-"Craftsman Series SB"

1A1. Metal Roof Deck Panels* - Min. .032 aluminum panels. Max panel width 16.5 in. and rib height 3/4 in. End laps to occur adjacent to steel supports with panels overlapped 4 in. min.

- MBCI - "Craftsman Series SB"

- NCI BUILDING SYSTEMS LP-"Craftsman Series SB"

1B. Metal Roof Deck Panels* (Battens) - Battens covering panel ribs and clips to be formed from the same type and thickness material as that used to fabricate metal panels (Item 1).

- CENTRIA - "ADP 100A Batten" .
- INNOVATIVE METALS CO INC - "SS Batten" .
- MCELROY METAL MILL INC - "Medallion I Batten"
- MBCI - "Small Batten"
- NCI BUILDING SYSTEMS LP-"Small Batten"
- M-5 STEEL MFG INC - "M-5 Panel Cap"

2. Roof Deck Fasteners* (Panel Clips) - One piece clip, 3/4 in. high, 1-1/2 in. wide by 2 in. long, min. 30 MSG coated steel or min. 26 gauge stainless steel. When coated steel metal roof deck panels used (Item 1) clips are spaced 24 in. O.C.; when aluminum metal roof deck panels used (Item 1A1) clips are spaced 12 in. O.C. Guide holes in bottom of clip.

- CENTRIA - "ADP 100A Clip" .
- INNOVATIVE METALS CO INC - "SS Clip" .
- MCELROY METAL MILL INC - "Medallion I"
- NCI BUILDING SYSTEMS LP - "SB Clip"
- M-5 STEEL MFG INC - "M-5 Clip"

3. Fasteners (Screws) - Screws used to attach the panel clips to plywood or OSB to be No. 10 by 1 in. long Pancake head wood screw with a No. 2 Phillips head size. One screw per clip.

Screws used to attach plywood or OSB substructure (Item 4) to wood trusses or joists (Item 6) to be No. 8 by 2 in. Bugle head screws. As an optional fastener, 2-1/2 in. long 8d common deformed shank nails may be used.

When light gauge structural steel joists are used, screws to be No. 12 by 1-5/8 in. long with a Phillips head.

Spacing of screws to be 6 in. OC at plywood or OSB ends and 12 in. OC at interior joists.

4. Substructure (Plywood or OSB) Plywood decking to be a nom 5/8 in. thick, exposure sheathing span C-D, 40/20 plywood or oriented strand board (OSB), nom 9/16 in. thick. (All butt joints to be sealed against leakage by using tape and/or caulk).

5. Waterproof Membrane (Optional) - Used to protect plywood or OSB (Item 4). Installed under panels (Item 1).

6. Joists, spaced at 2 ft, 0 in. OC may be one of the following:

- Nom 2 by 6 in. wood joists No. 2 or better.
- Nom 2 by 4 in. wood when used on a top chord of a wood truss, No. 2 or better.
- Light gauge structural steel framing with the member against the plywood or OSB to be a min No. 22 MSG coated steel.
- 16 MSG Purlins with upper flange against the plywood or OSB bottom surface.

7. Insulation (Optional)(Not Shown) - Any compressible blanket insulation 3 in. max thickness before compression. Insulation to be sandwiched between substructure (Item 4) and joists (Item 6).

Refer to General Information, Roof Deck Construction, (Roofing Materials and Systems Directory) for Items Not Evaluated.

*Bearing the UL Classification Marking