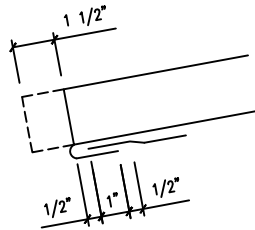
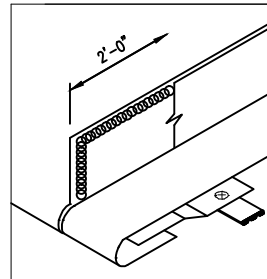


CRAFTSMAN SB BATTEN CAP [FL-566]
FILL END W/ URETHANE SEALANT



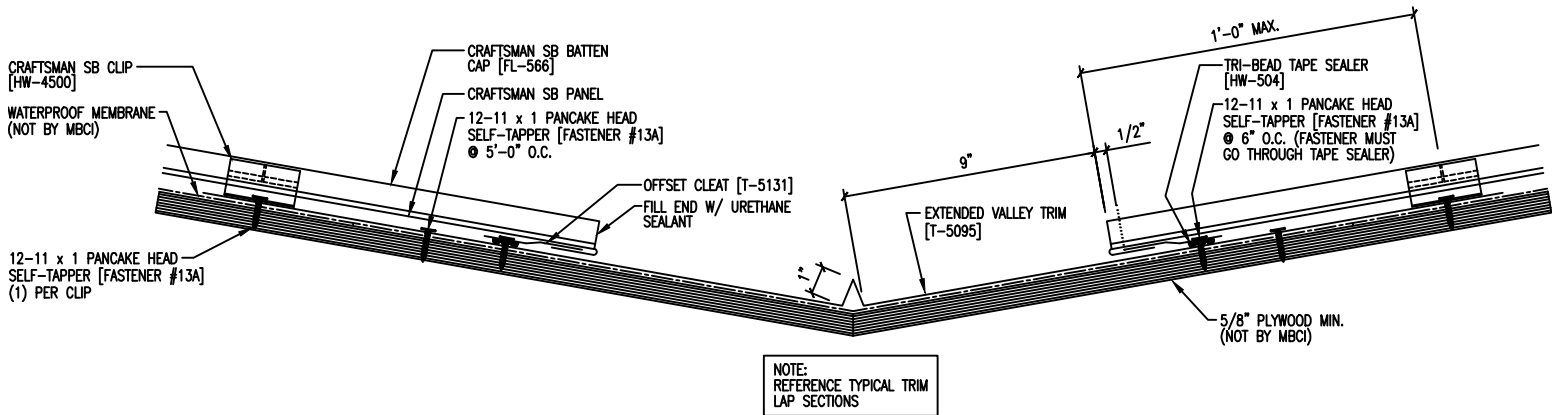
FIELD NOTCH PANEL LEGS AND BEND PAN TO FORM OPEN HEM



FIELD APPLY BEAD OF URETHANE SEALANT TO VERTICAL LEG OF PANEL BEFORE INSTALLING ADJACENT PANEL

PANEL ENGAGEMENT DETAIL

VALLEY SEALANT DETAIL



CRAFTSMAN SB CLIP [HW-4500]
WATERPROOF MEMBRANE (NOT BY MBCI)

12-11 x 1 PANCAKE HEAD SELF-TAPPER [FASTENER #13A] (1) PER CLIP

CRAFTSMAN SB BATTEN CAP [FL-566]
CRAFTSMAN SB PANEL
12-11 x 1 PANCAKE HEAD SELF-TAPPER [FASTENER #13A] @ 5'-0" O.C.

OFFSET CLEAT [T-5131]
FILL END W/ URETHANE SEALANT

EXTENDED VALLEY TRIM [T-5095]

1'-0" MAX.
TRI-BEAD TAPE SEALER [HW-504]
12-11 x 1 PANCAKE HEAD SELF-TAPPER [FASTENER #13A] @ 6" O.C. (FASTENER MUST GO THROUGH TAPE SEALER)

5/8" PLYWOOD MIN. (NOT BY MBCI)

NOTE: REFERENCE TYPICAL TRIM LAP SECTIONS