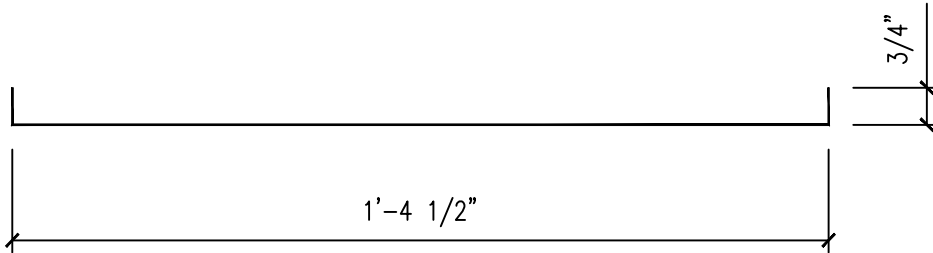
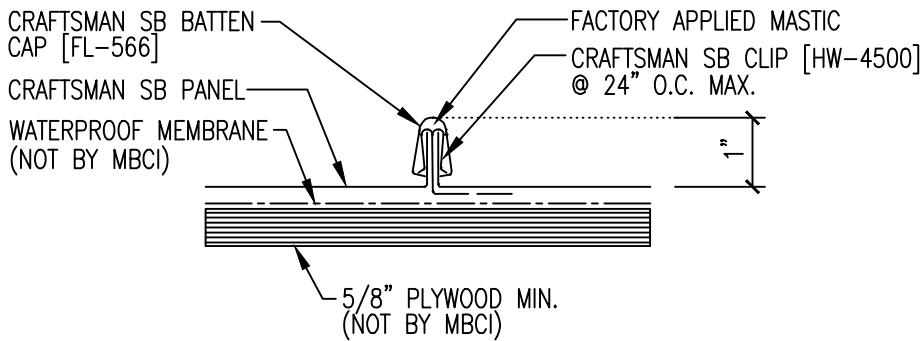


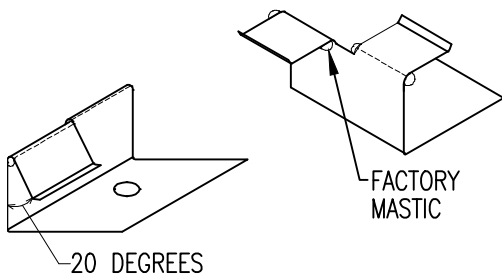
CRAFTSMAN SB-12 PANEL PROFILE



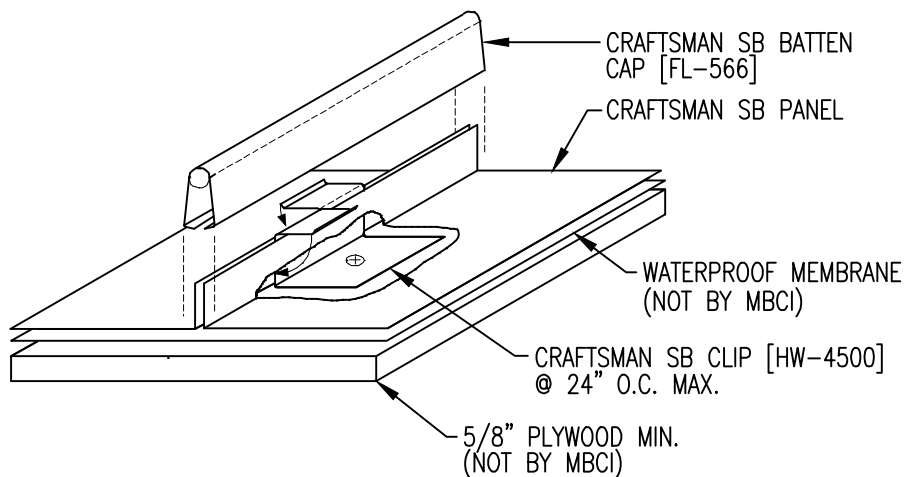
CRAFTSMAN SB-16.5 PANEL PROFILE



INSTALLED PANEL



BEND CLIP TO APPROXIMATELY 20 DEGREES TO ASSURE PROPER ENGAGEMENT OF BATTEN



CLIP/BATTEN INSTALLATION